

**SN54HC7074, SN74HC7074**  
**6-SECTION MULTIFUNCTION**  
**(NAND, INVERT, NOR, FLIP-FLOP) CIRCUITS**

D2831, MARCH 1984—REVISED SEPTEMBER 1987

- Contains D-type Flip-Flops with Preset and Clear, NAND, NOR, and Inverter Gates
- Package Options Include Plastic "Small Outline" Packages, Both Plastic and Ceramic Chip Carriers, and Standard Plastic and Ceramic 300-mil DIPs
- Dependable Texas Instruments Quality and Reliability

**description**

The SN54HC7074 and SN74HC7074 are each comprised of the following sections:

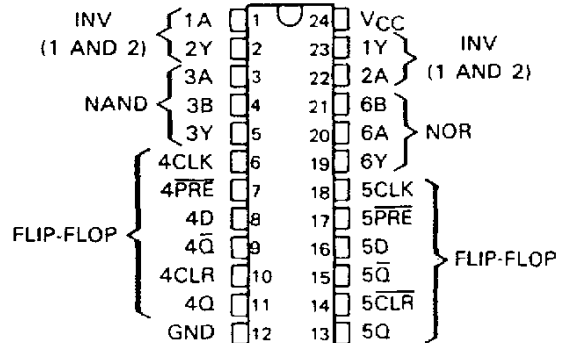
- Two inverters
- One 2-input NOR gate
- One 2-input NAND gate
- Two D-type flip-flops

They perform the Boolean functions shown under the respective function table.

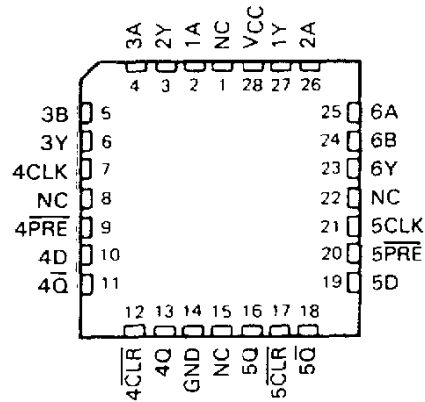
The D-type flip-flops are positive-edge-triggered and are functionally similar to the SN54HC74 and SN74HC74. A low level at the  $\overline{PRE}$  or  $\overline{CLR}$  inputs sets or resets the outputs regardless of the levels of the other inputs. When  $\overline{PRE}$  and  $\overline{CLR}$  are inactive (high), data at the D input meeting the setup time requirements are transferred to the outputs on the positive-going edge of the clock pulse. Clock triggering occurs at a voltage level and is not directly related to the rise time of the clock pulse. Following the hold time interval, data at the D input may be changed without affecting the levels at the outputs.

The SN54HC7074 is characterized for operation over the full military temperature range of  $-55^{\circ}\text{C}$  to  $125^{\circ}\text{C}$ . The SN74HC7074 is characterized for operation from  $-40^{\circ}\text{C}$  to  $85^{\circ}\text{C}$ .

SN54HC7074 . . . JT PACKAGE  
 SN74HC7074 . . . DW OR NT PACKAGE  
 (TOP VIEW)



SN54HC7074 . . . FK PACKAGE  
 (TOP VIEW)



NC—No internal connection

PRODUCTION DATA documents contain information current as of publication date. Products conform to specifications per the terms of Texas Instruments standard warranty. Production processing does not necessarily include testing of all parameters.

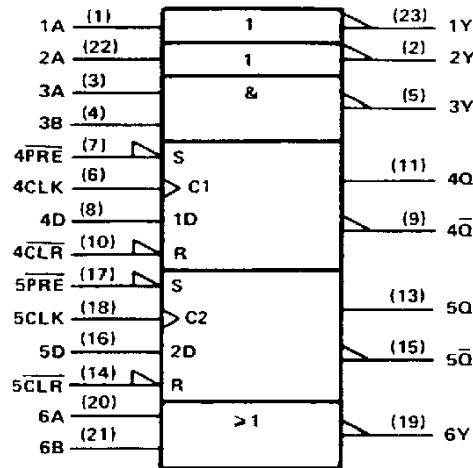


Copyright © 1984, Texas Instruments Incorporated

POST OFFICE BOX 655012 • DALLAS, TEXAS 75265

**54HC7074, SN74HC7074**  
**6-SECTION MULTIFUNCTION**  
**(NAND, INVERT, NOR, FLIP-FLOP) CIRCUITS**

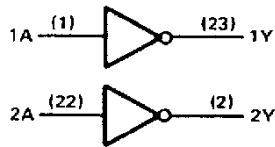
logic symbol†



†This symbol is in accordance with ANSI/IEEE Std 91-1984 and IEC Publication 617-12.

logic diagrams (positive logic)

**INVERTERS**

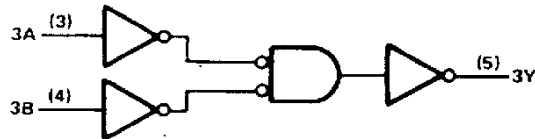


**FUNCTION TABLE**  
(EACH INVERTER)

INPUT		OUTPUT
A	Y	
H	L	
L	H	

positive logic:  $Y = \bar{A}$

**2-INPUT NAND GATE**



**FUNCTION TABLE**

INPUTS		OUTPUT
A	B	Y
H	H	L
L	X	H
X	L	H

positive logic:  $Y = \overline{A \cdot B}$  or  $Y = \bar{A} + \bar{B}$

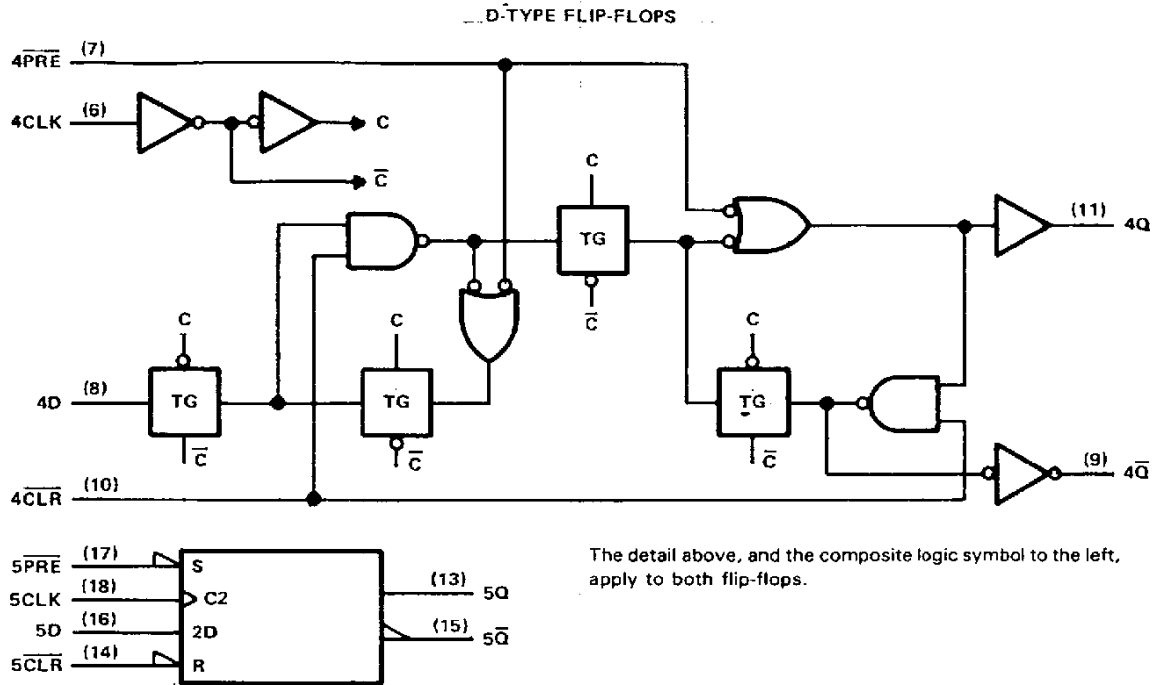
Pin numbers shown are for DW, JT, and NT packages.

**TEXAS**  
**INSTRUMENTS**

POST OFFICE BOX 655012 • DALLAS, TEXAS 75265

SN54HC7074, SN74HC7074  
6-SECTION MULTIFUNCTION  
(NAND, INVERT, NOR, FLIP-FLOP) CIRCUITS

logic diagrams (positive logic)

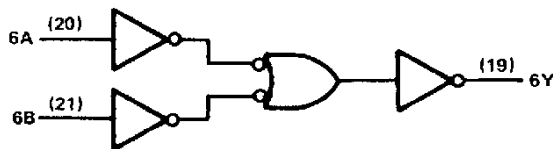


FUNCTION TABLE  
(EACH D FLIP-FLOP)

INPUTS				OUTPUTS	
PRE	CLR	CLK	D	Q	Q̄
L	H	X	X	H	L
H	L	X	X	L	H
L	L	X	X	H*	H*
H	H	↑	H	H	L
H	H	↑	L	L	H
H	H	L	X	Q <sub>0</sub>	Q̄ <sub>0</sub>

\*This configuration is nonstable; i.e., it will not persist when either PRE or CLR returns to the inactive (high) level.

2-INPUT NOR GATE



FUNCTION TABLE

INPUTS		OUTPUT
A	B	Y
H	X	L
X	H	L
L	L	H

positive logic:  $Y = \overline{A+B}$  or  $Y = \overline{A} \cdot \overline{B}$

Pin numbers shown are for DW, JT, and NT packages.

  
**TEXAS**  
**INSTRUMENTS**

POST OFFICE BOX 655012 • DALLAS, TEXAS 75265

**SN54HC7074, SN74HC7074**  
**6-SECTION MULTIFUNCTION**  
**(NAND, INVERT, NOR, FLIP-FLOP) CIRCUITS**

**absolute maximum ratings over operating free-air temperature range†**

Supply voltage, $V_{CC}$ .....	-0.5 V to 7 V
Input clamp current, $I_{IK}$ ( $V_I < 0$ or $V_I > V_{CC}$ ) .....	$\pm 20$ mA
Output clamp current, $I_{OK}$ ( $V_O < 0$ or $V_O > V_{CC}$ ) .....	$\pm 20$ mA
Continuous output current, $I_O$ ( $V_O = 0$ to $V_{CC}$ ) .....	$\pm 25$ mA
Continuous current through $V_{CC}$ or GND pins .....	$\pm 50$ mA
Lead temperature 1,6 mm (1/16 in) from case for 60 s: FK or JT package .....	300°C
Lead temperature 1,6 mm (1/16 in) from case for 10 s: DW or NT package .....	260°C
Storage temperature range .....	-65°C to 150°C

† Stresses beyond those listed under "absolute maximum ratings" may cause permanent damage to the device. These are stress ratings only, and functional operation of the device at these or any other conditions beyond those indicated under "recommended operating conditions" is not implied. Exposure to absolute-maximum-rated conditions for extended periods may affect device reliability.

**recommended operating conditions**

		SN54HC7074			SN74HC7074			UNIT
		MIN	NOM	MAX	MIN	NOM	MAX	
$V_{CC}$	Supply voltage	2	5	6	2	5	6	V
$V_{IH}$	High-level input voltage	$V_{CC} = 2$ V $V_{CC} = 4.5$ V $V_{CC} = 6$ V			$V_{CC} = 2$ V $V_{CC} = 4.5$ V $V_{CC} = 6$ V			V
$V_{IL}$	Low-level input voltage	$V_{CC} = 2$ V $V_{CC} = 4.5$ V $V_{CC} = 6$ V			$V_{CC} = 2$ V $V_{CC} = 4.5$ V $V_{CC} = 6$ V			V
$V_I$	Input voltage	0		$V_{CC}$	0		$V_{CC}$	V
$V_O$	Output voltage	0		$V_{CC}$	0		$V_{CC}$	V
$t_t$	Input transition (rise and fall) times	$V_{CC} = 2$ V $V_{CC} = 4.5$ V $V_{CC} = 6$ V			$V_{CC} = 2$ V $V_{CC} = 4.5$ V $V_{CC} = 6$ V			ns
$T_A$	Operating free-air temperature	-55		125	-40		85	°C

**electrical characteristics over recommended operating free-air temperature range (unless otherwise noted)**

PARAMETER	TEST CONDITIONS	$V_{CC}$	$T_A = 25^\circ\text{C}$			SN54HC7074		SN74HC7074		UNIT
			MIN	TYP	MAX	MIN	MAX	MIN	MAX	
$V_{OH}$	$V_I = V_{IH}$ or $V_{IL}$ , $I_{OH} = -20 \mu\text{A}$	2 V	1.9	1.998		1.9		1.9	V	
		4.5 V	4.4	4.499		4.4		4.4		
		6 V	5.9	5.999		5.9		5.9		
$V_{OL}$	$V_I = V_{IH}$ or $V_{IL}$ , $I_{OL} = 20 \mu\text{A}$	2 V		0.002	0.1		0.1		V	
		4.5 V		0.001	0.1		0.1			
		6 V		0.001	0.1		0.1			
$V_{OL}$	$V_I = V_{IH}$ or $V_{IL}$ , $I_{OL} = 4 \text{ mA}$	4.5 V		0.17	0.26		0.4		V	
		6 V		0.15	0.26		0.4			
		6 V		0.15	0.26		0.4			
$I_I$	$V_I = V_{CC}$ or 0	6 V		$\pm 0.1$	$\pm 100$		$\pm 1000$		$\pm 1000$	nA
$I_{CC}$	$V_I = V_{CC}$ or 0, $I_O = 0$	6 V			4		80		40	$\mu\text{A}$
$C_i$		2 to 6 V		3	10		10		10	pF



**SN54HC7074, SN74HC7074**  
**6-SECTION MULTIFUNCTION**  
**(NAND, INVERT, NOR, FLIP-FLOP) CIRCUITS**

timing requirements for each D-type flip-flop over recommended operating free-air temperature range (unless otherwise noted)

		V <sub>CC</sub>	T <sub>A</sub> = 25 °C		SN54HC7074		SN74HC7074		UNIT
			MIN	MAX	MIN	MAX	MIN	MAX	
f <sub>clock</sub>	Clock frequency	2 V	0	5.5	0	3.7	0	4.5	MHz
		4.5 V	0	28	0	19	0	22	
		6 V	0	31	0	21	0	25	
t <sub>w</sub>	Pulse duration	CLK high	2 V	90		135		110	ns
		or	4.5 V	18		26		23	
		CLR low	6 V	16		24		20	
	$\overline{\text{PRE}}$ low	2 V	100		150		125		
	or	4.5 V	20		30		25		
$\overline{\text{CLR}}$ low	6 V	17		25		21			
t <sub>su</sub>	Setup time before CLK1	Data	2 V	100		150		125	ns
			4.5 V	20		30		25	
			6 V	17		25		21	
	$\overline{\text{PRE}}$ high	2 V	25		38		31		
	or	4.5 V	5		8		6		
$\overline{\text{PRE}}$ low	6 V	4		7		5			
t <sub>h</sub>	Hold time, data after CLK1	2 V	5		5		5	ns	
		4.5 V	5		5		5		
		6 V	5		5		5		

switching characteristics for each D-type flip-flop over recommended operating free-air temperature range (unless otherwise noted), C<sub>L</sub> = 50 pF (see Note 1)

PARAMETER	FROM (INPUT)	TO (OUTPUT)	V <sub>CC</sub>	T <sub>A</sub> = 25 °C			SN54HC7074		SN74HC7074		UNIT
				MIN	TYP	MAX	MIN	MAX	MIN	MAX	
f <sub>max</sub>			2 V	5.5	10		3.7		4.5	MHz	
			4.5 V	28	50		19		22		
			6 V	31	60		21		25		
t <sub>pd</sub>	CLK	Q or $\overline{\text{Q}}$	2 V		45	175		263		219	ns
			4.5 V		15	35		53		44	
			6 V		13	30		45		38	
t <sub>pd</sub>	$\overline{\text{PRE}}$ or CLR	Q or $\overline{\text{Q}}$	2 V		45	230		345		288	ns
			4.5 V		15	46		69		58	
			6 V		13	39		59		49	

C <sub>pd</sub>	Power dissipation capacitance per flip-flop	No load, T <sub>A</sub> = 25 °C	40 pF typ
-----------------	---	---------------------------------	-----------

NOTE 1: Load circuit and voltage waveforms are shown in Section 1.



**SN54HC7074, SN74HC7074**  
**6-SECTION MULTIFUNCTION**  
**(NAND, INVERT, NOR, FLIP-FLOP) CIRCUITS**

switching characteristics for gates and inverters over recommended operating free-air temperature range (unless otherwise noted).  $C_L = 50$  pF (see Note 1)

PARAMETER	FROM (INPUT)	TO (OUTPUT)	$V_{CC}$	$T_A = 25^\circ\text{C}$			SN54HC7074		SN74HC7074		UNIT
				MIN	TYP	MAX	MIN	MAX	MIN	MAX	
$t_{pd}$	A or B	Y	2 V		24	90		135		115	ns
			4.5 V		9	18		27		23	
			6 V		7	15		23		20	
$t_t$		Y	2 V		38	75		110		95	ns
			4.5 V		8	15		22		19	
			6 V		6	13		19		16	

$C_{pd}$	Power dissipation capacitance per NAND or NOR gate	No load, $T_A = 25^\circ\text{C}$	27 pF typ
	Power dissipation capacitance per inverter		20 pF typ

NOTE 1: Load circuit and voltage waveforms are shown in Section 1.

**TYPICAL APPLICATION DATA**

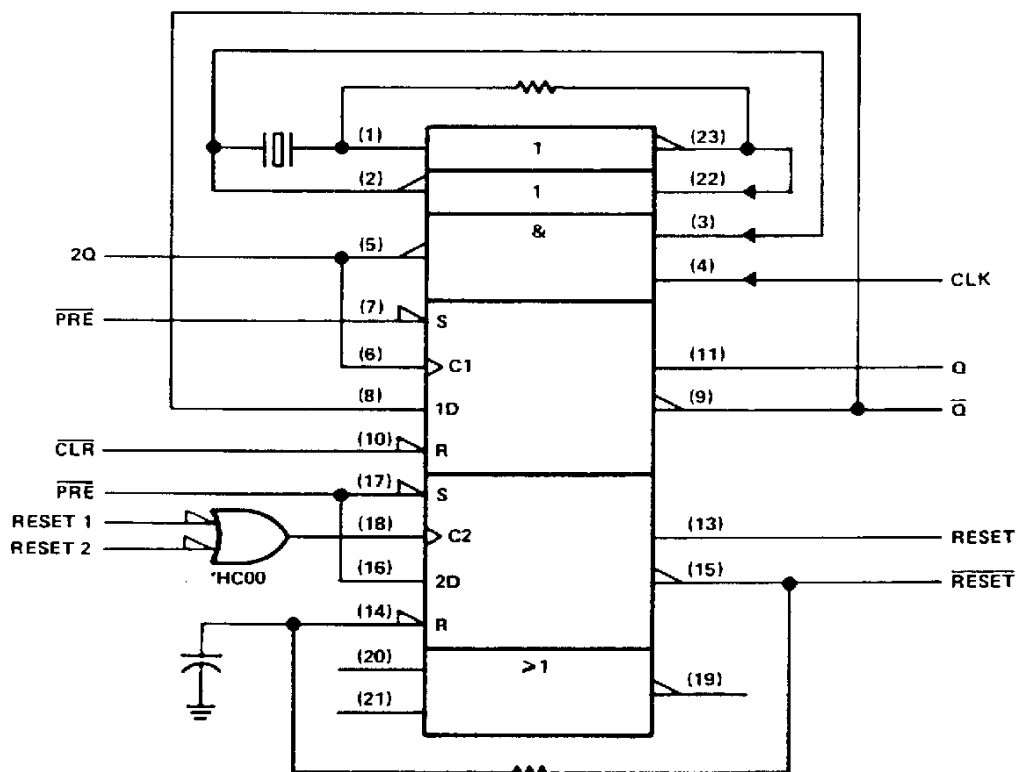


FIGURE 1. CLOCK AND RESET GENERATION FOR MICROPROCESSOR-BASED SYSTEM

## **IMPORTANT NOTICE**

Texas Instruments and its subsidiaries (TI) reserve the right to make changes to their products or to discontinue any product or service without notice, and advise customers to obtain the latest version of relevant information to verify, before placing orders, that information being relied on is current and complete. All products are sold subject to the terms and conditions of sale supplied at the time of order acknowledgement, including those pertaining to warranty, patent infringement, and limitation of liability.

TI warrants performance of its semiconductor products to the specifications applicable at the time of sale in accordance with TI's standard warranty. Testing and other quality control techniques are utilized to the extent TI deems necessary to support this warranty. Specific testing of all parameters of each device is not necessarily performed, except those mandated by government requirements.

**CERTAIN APPLICATIONS USING SEMICONDUCTOR PRODUCTS MAY INVOLVE POTENTIAL RISKS OF DEATH, PERSONAL INJURY, OR SEVERE PROPERTY OR ENVIRONMENTAL DAMAGE ("CRITICAL APPLICATIONS"). TI SEMICONDUCTOR PRODUCTS ARE NOT DESIGNED, AUTHORIZED, OR WARRANTED TO BE SUITABLE FOR USE IN LIFE-SUPPORT DEVICES OR SYSTEMS OR OTHER CRITICAL APPLICATIONS. INCLUSION OF TI PRODUCTS IN SUCH APPLICATIONS IS UNDERSTOOD TO BE FULLY AT THE CUSTOMER'S RISK.**

In order to minimize risks associated with the customer's applications, adequate design and operating safeguards must be provided by the customer to minimize inherent or procedural hazards.

TI assumes no liability for applications assistance or customer product design. TI does not warrant or represent that any license, either express or implied, is granted under any patent right, copyright, mask work right, or other intellectual property right of TI covering or relating to any combination, machine, or process in which such semiconductor products or services might be or are used. TI's publication of information regarding any third party's products or services does not constitute TI's approval, warranty or endorsement thereof.

This datasheet has been downloaded from:

[www.DatasheetCatalog.com](http://www.DatasheetCatalog.com)

Datasheets for electronic components.



# Texas Instruments

<http://www.ti.com>

This file is the datasheet for the following electronic components:

SN54HC7074 - <http://www.ti.com/product/sn54hc7074?HQS=TI-null-null-dscatalog-df-pf-null-ww>

SN74HC7074 - <http://www.ti.com/product/sn74hc7074?HQS=TI-null-null-dscatalog-df-pf-null-ww>