

MM54HC620/MM74HC620 Inverting Octal TRI-STATE® Transceiver

MM54HC623/MM74HC623 True Octal TRI-STATE Transceiver

General Description

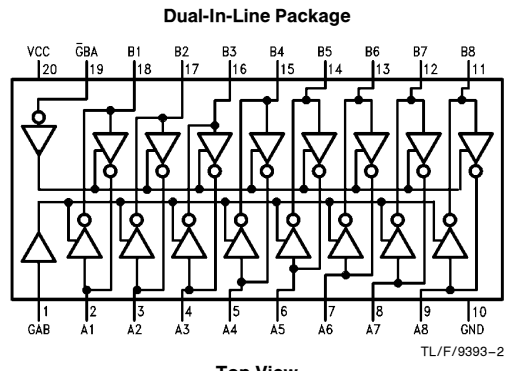
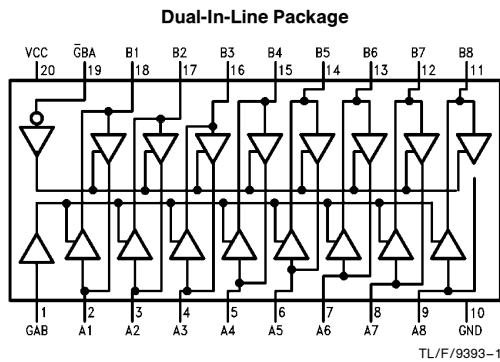
These TRI-STATE bi-directional buffers utilize advanced silicon-gate CMOS technology and are intended for two-way asynchronous communication between data buses. They have high drive current outputs which enable high speed operation even when driving large bus capacitances. These circuits possess the low power consumption and high noise immunity usually associated with CMOS circuitry, yet have speeds comparable to low power Schottky TTL circuits. These devices allow data transmission from the A bus to the B bus or from the B bus to the A bus depending on the logic levels at the enable inputs. Both buses can be isolated from each other with proper logic levels at the enable inputs. When GAB is taken high and GBA is taken low, these devices store the states presently appearing at the data inputs. The 8-bit codes appearing on the two sets of buses will be identical for the 623 option or complimentary for the 620 option.

These devices can drive up to 15 LS-TTL loads. All inputs are protected from damage due to static discharge by diodes to V_{CC} and ground.

Features

- Typical propagation delays: 13 ns
- Wide power supply range: 2V–6V
- Low quiescent supply current: 80 μ A maximum (74HC series)
- TRI-STATE outputs for connection to system buses
- High output drive: 6 mA (minimum)

Connection Diagrams



Truth Table

Enable Inputs		Operation	
$\bar{G}BA$	GAB		
L	L	\bar{B} data to A bus	B data to A bus
H	H	\bar{A} data to B bus	A data to B bus
H	L	Isolation	Isolation
L	L	\bar{B} data to A bus, \bar{A} data to B bus	B data to A bus, A data to B bus

TRI-STATE® is a registered trademark of National Semiconductor Corporation.

Absolute Maximum Ratings (Notes 1 & 2)

If Military/Aerospace specified devices are required, please contact the National Semiconductor Sales Office/Distributors for availability and specifications.

Supply Voltage (V_{CC})	-0.5V to +7.0V
DC Input Voltage DIR and \bar{G} pins (V_{IN})	-1.5V to V_{CC} + 1.5V
DC Output Voltage (V_{IN} , V_{OUT})	-0.5 to V_{CC} + 0.5V
Clamp Diode Current (I_{CD})	± 20 mA
DC Output Current, per pin (I_{OUT})	± 35 mA
DC V_{CC} or GND Current, per pin (I_{CC})	± 70 mA
Storage Temperature Range (T_{STG})	-65°C to +150°C
Power Dissipation (P_D) (Note 3)	600 mW
S.O. Package only	500 mW
Lead Temperature (T_L) (Soldering, 10 seconds)	260°C

Operating Conditions

	Min	Max	Units
Supply Voltage (V_{CC})	2	6	V
DC Input or Output Voltage (V_{IN} , V_{OUT})	0	V_{CC}	V
Operating Temp. Range (T_A)			
MM74HC	-40	+85	°C
MM54HC	-55	+125	°C
Input Rise/Fall Times (t_r , t_f)			
$V_{CC} = 2.0V$		1000	ns
$V_{CC} = 4.5V$		500	ns
$V_{CC} = 6.0V$		400	ns

DC Electrical Characteristics (Note 4)

Symbol	Parameter	Conditions	V_{CC}	$T_A = 25^\circ\text{C}$			Units	
				74HC $T_A = -40^\circ\text{C to } +85^\circ\text{C}$		54HC $T_A = -55^\circ\text{C to } +125^\circ\text{C}$		
				Typ	Guaranteed Limits			
V_{IH}	Minimum High Level Input Voltage		2.0V		1.5	1.5	1.5	V
			4.5V		3.15	3.15	3.15	V
			6.0V		4.2	4.2	4.2	V
V_{IL}	Maximum Low Level Input Voltage**		2.0V		0.5	0.5	0.5	V
			4.5V		1.35	1.35	1.35	V
			6.0V		1.8	1.8	1.8	V
V_{OH}	Minimum High Level Output Voltage	$V_{IN} = V_{IH}$ or V_{IL} $ I_{OUT} \leq 20 \mu\text{A}$	2.0V	2.0	1.9	1.9	1.9	V
			4.5V	4.5	4.4	4.4	4.4	V
			6.0V	6.0	5.9	5.9	5.9	V
		$V_{IN} = V_{IH}$ or V_{IL} $ I_{OUT} \leq 6.0 \text{ mA}$ $ I_{OUT} \leq 7.8 \text{ mA}$	4.5V	4.2	3.98	3.84	3.7	V
			6.0V	5.7	5.48	5.34	5.2	V
V_{OL}	Maximum Low Level Output Voltage	$V_{IN} = V_{IH}$ or V_{IL} $ I_{OUT} \leq 20 \mu\text{A}$	2.0V	0	0.1	0.1	0.1	V
			4.5V	0	0.1	0.1	0.1	V
			6.0V	0	0.1	0.1	0.1	V
		$V_{IN} = V_{IH}$ or V_{IL} $ I_{OUT} \leq 6.0 \text{ mA}$ $ I_{OUT} \leq 7.8 \text{ mA}$	4.5V	0.2	0.26	0.33	0.4	V
			6.0V	0.2	0.26	0.33	0.4	V
I_{IN}	Input Leakage Current (\bar{G} and DIR)	$V_{IN} = V_{CC}$ or GND	6.0V		± 0.1	± 1.0	± 1.0	μA
I_{OZ}	Maximum TRI-STATE Output Leakage Current	$V_{OUT} = V_{CC}$ or GND Enable $\bar{G} = V_{IH}$	6.0V		± 0.5	± 5.0	± 10	μA
I_{CC}	Maximum Quiescent Supply Current	$V_{IN} = V_{CC}$ or GND $I_{OUT} = 0 \mu\text{A}$	6.0V		8.0	80	160	μA

Note 1: Maximum Ratings are those values beyond which damage to the device may occur.

Note 2: Unless otherwise specified all voltages are referenced to ground.

Note 3: Power dissipation temperature derating—plastic "N" package: -12 mW/°C from 65°C to 85°C; ceramic "J" package: -12 mW/°C from 100°C to 125°C.

Note 4: For a power supply of 5V $\pm 10\%$ the worst case output voltages (V_{OH} , and V_{OL}) occur for HC at 4.5V. Thus the 4.5V values should be used when designing with this supply. Worst case V_{IH} and V_{IL} occur at $V_{CC} = 5.5V$ and 4.5V respectively. (The V_{IH} value at 5.5V is 3.85V.) The worst case leakage current (I_{IN} , I_{CC} , and I_{OZ}) occur for CMOS at the higher voltage and so the 6.0V values should be used.

** V_{IL} limits are currently tested at 20% of V_{CC} . The above V_{IL} specification (30% of V_{CC}) will be implemented no later than Q1, CY'89.

AC Electrical Characteristics $V_{CC} = 5V, T_A = 25^\circ C, t_r = t_f = 6 ns$

Symbol	Parameter	Conditions	Typ	Guaranteed Limit	Units
t_{PHL}, t_{PLH}	Maximum Propagation Delay	$C_L = 45 pF$		15	ns
t_{PZH}, t_{PZL}	Maximum Output Enable Time	$R_L = 1 k\Omega$ $C_L = 45 pF$		31	ns
t_{PHZ}, t_{PLZ}	Maximum Output Disable Time	$R_L = 1 k\Omega$ $C_L = 5 pF$		18	ns

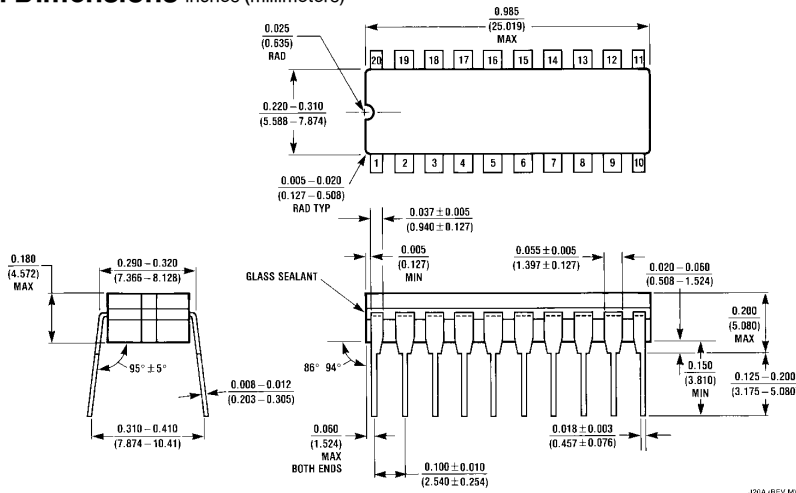
AC Electrical Characteristics $V_{CC} = 2.0V to 6.0V, C_L = 50 pF, t_r = t_f = 6 ns$ unless otherwise specified

Symbol	Parameter	Conditions	V_{CC}	$T_A = 25^\circ C$			Units		
				Typ	74HC $T_A = -40^\circ C to +85^\circ C$	54HC $T_A = -55^\circ C to +125^\circ C$			
t_{PHL}, t_{PLH}	Maximum Propagation Delay	$C_L = 50 pF$	2.0V	85	105	130	ns		
		$C_L = 150 pF$	2.0V	105	130	160	ns		
		$C_L = 50 pF$	4.5V	17	21	26	ns		
		$C_L = 150 pF$	4.5V	21	26	32	ns		
		$C_L = 50 pF$	6.0V	14	18	22	ns		
		$C_L = 150 pF$	6.0V	18	22	27	ns		
		t_{PZH}, t_{PZL}	Maximum Output Enable	$R_L = 1 k\Omega$					
				$C_L = 50 pF$	2.0V	170	215	255	ns
$C_L = 150 pF$	2.0V			195	245	295	ns		
$C_L = 50 pF$	4.5V			34	43	51	ns		
		$C_L = 150 pF$	4.5V	39	49	59	ns		
		$C_L = 50 pF$	6.0V	29	37	43	ns		
		$C_L = 150 pF$	6.0V	33	42	50	ns		
		t_{PHZ}, t_{PLZ}	Maximum Output Disable Time	$R_L = 1 k\Omega$	2.0V	130	165	195	ns
$C_L = 50 pF$	4.5V			26	33	39	ns		
$C_L = 50 pF$	6.0V			22	28	33	ns		
t_{THL}, t_{TLH}	Output Rise and Fall Time	$C_L = 50 pF$	2.0V	60	75	90	ns		
			4.5V	12	15	18	ns		
			6.0V	10	13	15	ns		
C_{PD}	Power Dissipation Capacitance (Note 5)	$\overline{G}BA, GAB = V_{IL}$ $\overline{G}BA = V_{IH}, GAB = V_{IL}$	120 12				pF pF		
C_{IN}	Maximum Input Capacitance		5	10	10	10	pF		
$C_{IN/OUT}$	Maximum Input/Output Capacitance, A or B		15	20	20	20	pF		

Note 5: C_{PD} determines the no load dynamic power consumption, $P_D = C_{PD} V_{CC}^2 f + I_{CC} V_{CC}$, and the no load dynamic current consumption, $I_S = C_{PD} V_{CC} f + I_{CC}$.

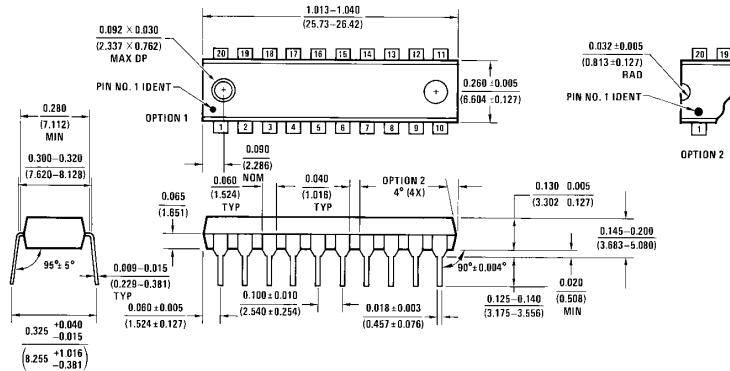
MM54HC620/MM74HC620 Inverting Octal TRI-STATE Transceiver
MM54HC623/MM74HC623 True Octal TRI-STATE Transceiver

Physical Dimensions inches (millimeters)



J20A (REV M)

Ceramic Dual-In-Line Package (J)
Order Number MM54HC620, MM54HC623, MM74HC620 or MM74HC623
NS Package Number J20A



N20A (REV G)

Molded Dual-In-Line Package (N)
Order Number MM54HC620, MM54HC623, MM74HC620 or MM74HC623
NS Package Number N20A

LIFE SUPPORT POLICY

NATIONAL'S PRODUCTS ARE NOT AUTHORIZED FOR USE AS CRITICAL COMPONENTS IN LIFE SUPPORT DEVICES OR SYSTEMS WITHOUT THE EXPRESS WRITTEN APPROVAL OF THE PRESIDENT OF NATIONAL SEMICONDUCTOR CORPORATION. As used herein:

1. Life support devices or systems are devices or systems which, (a) are intended for surgical implant into the body, or (b) support or sustain life, and whose failure to perform, when properly used in accordance with instructions for use provided in the labeling, can be reasonably expected to result in a significant injury to the user.
2. A critical component is any component of a life support device or system whose failure to perform can be reasonably expected to cause the failure of the life support device or system, or to affect its safety or effectiveness.



National Semiconductor Corporation
 1111 West Bardin Road
 Arlington, TX 76017
 Tel: 1(800) 272-9959
 Fax: 1(800) 737-7018

National Semiconductor Europe
 Fax: (+49) 0-180-530 85 86
 Email: cnjwge@tevm2.nsc.com
 Deutsch Tel: (+49) 0-180-530 85 85
 English Tel: (+49) 0-180-532 78 32
 Français Tel: (+49) 0-180-532 93 58
 Italiano Tel: (+49) 0-180-534 16 80

National Semiconductor Hong Kong Ltd.
 19th Floor, Straight Block,
 Ocean Centre, 5 Canton Rd.
 Tsimshatsui, Kowloon
 Hong Kong
 Tel: (852) 2737-1600
 Fax: (852) 2736-9960

National Semiconductor Japan Ltd.
 Tel: 81-043-299-2309
 Fax: 81-043-299-2408

National does not assume any responsibility for use of any circuitry described, no circuit patent licenses are implied and National reserves the right at any time without notice to change said circuitry and specifications.

This datasheet has been download from:

www.datasheetcatalog.com

Datasheets for electronics components.

National Semiconductor was acquired by Texas Instruments.

http://www.ti.com/corp/docs/investor_relations/pr_09_23_2011_national_semiconductor.html

This file is the datasheet for the following electronic components:

MM74HC620 - <http://www.ti.com/product/mm74hc620?HQS=TI-null-null-dscatalog-df-pf-null-wwe>

MM54HC623 - <http://www.ti.com/product/mm54hc623?HQS=TI-null-null-dscatalog-df-pf-null-wwe>

MM54HC620 - <http://www.ti.com/product/mm54hc620?HQS=TI-null-null-dscatalog-df-pf-null-wwe>

MM74HC623 - <http://www.ti.com/product/mm74hc623?HQS=TI-null-null-dscatalog-df-pf-null-wwe>