

MM54HC533/MM74HC533 TRI-STATE® Octal D-Type Latch with Inverted Outputs

General Description

These high speed OCTAL D-TYPE LATCHES utilize advanced silicon-gate CMOS technology. They possess the high noise immunity and low power consumption of standard CMOS integrated circuits, as well as the ability to drive 15 LS-TTL loads. Due to the large output drive capability and the TRI-STATE feature, these devices are ideally suited for interfacing with bus lines in a bus organized system.

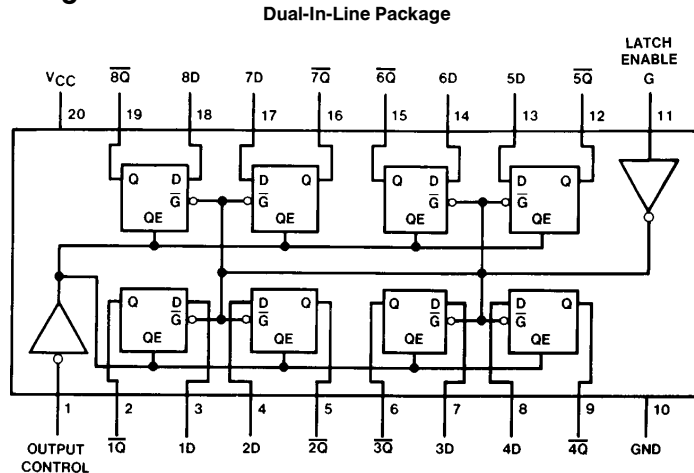
When the LATCH ENABLE input is high, the data present on the D inputs will appear inverted at the \bar{Q} outputs. When the LATCH ENABLE goes low, the inverted data will be retained at the \bar{Q} outputs until LATCH ENABLE returns high again. When a high logic level is applied to the OUTPUT CONTROL input, all outputs go to a high impedance state, regardless of what signals are present at the other inputs and the state of the storage elements.

The 54HC/74HC logic family is speed, function, and pin-out compatible with the standard 54LS/74LS logic family. All inputs are protected from damage due to static discharge by internal diode clamps to V_{CC} and ground.

Features

- Typical propagation delay: 18 ns
- Wide operating voltage range: 2 to 6 volts
- Low input current: 1 μ A maximum
- Low quiescent current: 80 μ A, maximum (74HC Series)
- Compatible with bus-oriented systems
- Output drive capability: 15 LS-TTL loads

Connection Diagram



TL/F/5339-1

Top View

Order Number MM54HC533 or MM74HC533

Truth Table

Output Control	Latch Enable G	Data	Output
L	H	H	L
L	H	L	H
L	L	X	\bar{Q}_0
H	X	X	Z

H = high level, L = low level

Q_0 = level of output before steady-state input conditions were established.

Z = high impedance

TRI-STATE® is a registered trademark of National Semiconductor Corp.

Absolute Maximum Ratings (Notes 1 & 2)

If Military/Aerospace specified devices are required, please contact the National Semiconductor Sales Office/Distributors for availability and specifications.

Supply Voltage (V_{CC})	-0.5 to +7.0V
DC Input Voltage (V_{IN})	-1.5 to $V_{CC} + 1.5V$
DC Output Voltage (V_{OUT})	-0.5 to $V_{CC} + 0.5V$
Clamp Diode Current (I_{IK}, I_{OK})	± 20 mA
DC Output Current, per pin (I_{OUT})	± 35 mA
DC V_{CC} or GND Current, per pin (I_{CC})	± 70 mA
Storage Temperature Range (T_{STG})	-65°C to +150°C
Power Dissipation (P_D) (Note 3)	600 mW
S.O. Package only	500 mW
Lead Temp. (T_L) (Soldering 10 seconds)	260°C

Operating Conditions

	Min	Max	Units
Supply Voltage (V_{CC})	2	6	V
DC Input or Output Voltage (V_{IN}, V_{OUT})	0	V_{CC}	V
Operating Temp. Range (T_A)			
MM74HC	-40	+85	°C
MM54HC	-55	+125	°C
Input Rise or Fall Times (t_r, t_f)			
$V_{CC} = 2.0V$		1000	ns
$V_{CC} = 4.5V$		500	ns
$V_{CC} = 6.0V$		400	ns

DC Electrical Characteristics

Symbol	Parameter	Conditions	V_{CC}	$T_A = 25^\circ C$			Units	
				74HC $T_A = -40$ to $85^\circ C$	54HC $T_A = -55$ to $125^\circ C$	Units		
				Guaranteed Limits				
V_{IH}	Minimum High Level Input Voltage		2.0V		1.5	1.5	V	
			4.5V		3.15	3.15	V	
			6.0V		4.2	4.2	V	
V_{IL}	Maximum Low Level Input Voltage**		2.0V		0.5	0.5	V	
			4.5V		1.35	1.35	V	
			6.0V		1.8	1.8	V	
V_{OH}	Minimum High Level Output Voltage	$V_{IN} = V_{IH}$ or V_{IL} $ I_{OUT} \leq 20 \mu A$	2.0V	2.0	1.9	1.9	V	
			4.5V	4.5	4.4	4.4	V	
			6.0V	6.0	5.9	5.9	V	
		$V_{IN} = V_{IH}$ or V_{IL} $ I_{OUT} \leq 6.0$ mA $ I_{OUT} \leq 7.8$ mA	4.5V	4.2	3.98	3.84	V	
			6.0V	5.7	5.48	5.34	V	
							V	
V_{OL}	Maximum Low Level Output Voltage	$V_{IN} = V_{IH}$ or V_{IL} $ I_{OUT} \leq 20 \mu A$	2.0V	0	0.1	0.1	V	
			4.5V	0	0.1	0.1	V	
			6.0V	0	0.1	0.1	V	
		$V_{IN} = V_{IH}$ or V_{IL} $ I_{OUT} \leq 6.0$ mA $ I_{OUT} \leq 7.8$ mA	4.5V	0.2	0.26	0.33	V	
			6.0V	0.2	0.26	0.33	V	
							V	
I_{IN}	Maximum Input Current	$V_{IN} = V_{CC}$ or GND	6.0V		± 0.1	± 1.0	± 1.0	μA
I_{OZ}	Maximum TRI-STATE Output Leakage Current	$V_{IN} = V_{IH}$ or V_{IL} , $OC = V_{IH}$ $V_{OUT} = V_{CC}$ or GND	6.0V		± 0.5	± 5	± 10	μA
I_{CC}	Maximum Quiescent Supply Current	$V_{IN} = V_{CC}$ or GND $I_{OUT} = 0 \mu A$	6.0V		8.0	80	160	μA

Note 1: Absolute Maximum Ratings are those values beyond which damage to the device may occur.

Note 2: Unless otherwise specified all voltages are referenced to ground.

Note 3: Power Dissipation temperature derating — plastic "N" package: -12 mW/°C from 65°C to 85°C; ceramic "J" package: -12 mW/°C from 100°C to 125°C.

Note 4: For a power supply of 5V $\pm 10\%$ the worst case output voltages (V_{OH} , and V_{OL}) occur for HC at 4.5V. Thus the 4.5V values should be used when designing with this supply. Worst case V_{IH} and V_{IL} occur at $V_{CC} = 5.5V$ and 4.5V respectively. (The V_{IH} value at 5.5V is 3.85V.) The worst case leakage current (I_{IN} , I_{CC} , and I_{OZ}) occur for CMOS at the higher voltage and so the 6.0V values should be used.

** V_{IL} limits are currently tested at 20% of V_{CC} . The above V_{IL} specification (30% of V_{CC}) will be implemented no later than Q1, CY'89.

AC Electrical Characteristics $V_{CC}=5V, T_A=25^{\circ}C, t_r=t_f=6\text{ ns}$						
Symbol	Parameter	Conditions	Typ	Guaranteed Limit	Units	
t_{PHL}, t_{PLH}	Maximum Propagation Delay, Data to \bar{Q}	$C_L=45\text{ pF}$	18	25	ns	
t_{PHL}, t_{PLH}	Maximum Propagation Delay, Enable to \bar{Q}	$C_L=45\text{ pF}$	21	30	ns	
t_{PZH}, t_{PZL}	Maximum Output Enable Time	$R_L=1\text{ k}\Omega$ $C_L=45\text{ pF}$	20	28	ns	
t_{PHZ}, t_{PLZ}	Maximum Output Disable Time	$R_L=1\text{ k}\Omega$ $C_L=5\text{ pF}$	18	25	ns	
t_S	Minimum Set Up Time			5	ns	
t_H	Minimum Hold Time			10	ns	
t_W	Minimum Pulse Width			16	ns	

AC Electrical Characteristics $V_{CC}=2.0V-6.0V, C_L=50\text{ pF}, t_r=t_f=6\text{ ns}$ (unless otherwise specified)								
Symbol	Parameter	Conditions	V_{CC}	$T_A=25^{\circ}C$		74HC	54HC	Units
						$T_A=-40\text{ to }85^{\circ}C$	$T_A=-55\text{ to }125^{\circ}C$	
				Typ	Guaranteed Limits			
t_{PHL}, t_{PLH}	Maximum Propagation Delay, Data to \bar{Q}	$C_L=50\text{ pF}$	2.0V	50	150	188	225	ns
			2.0V	80	200	250	300	ns
		$C_L=150\text{ pF}$	4.5V	22	30	37	45	ns
			4.5V	30	40	50	60	ns
t_{PHL}, t_{PLH}	Maximum Propagation Delay, Enable to \bar{Q}	$C_L=50\text{ pF}$	2.0V	63	175	220	263	ns
			2.0V	110	225	280	338	ns
		$C_L=150\text{ pF}$	4.5V	25	35	44	52	ns
			4.5V	35	45	56	68	ns
t_{PZH}, t_{PZL}	Maximum Output Enable Time	$R_L=1\text{ k}\Omega$	2.0V	21	30	37	45	ns
			2.0V	28	39	49	59	ns
		$C_L=50\text{ pF}$	4.5V	21	30	37	45	ns
			4.5V	30	40	50	60	ns
t_{PHZ}, t_{PLZ}	Maximum Output Disable Time	$R_L=1\text{ k}\Omega$	2.0V	50	150	188	225	ns
			2.0V	80	200	250	300	ns
		$C_L=50\text{ pF}$	4.5V	21	30	37	45	ns
			4.5V	30	40	50	60	ns
t_S	Minimum Set Up Time		2.0V	50	60	75	ns	
			4.5V	9	13	15	ns	
			6.0V	9	11	13	ns	
t_H	Minimum Hold Time		2.0V	5	5	5	ns	
			4.5V	5	5	5	ns	
			6.0V	5	5	5	ns	
t_W	Minimum Pulse Width		2.0V	30	80	100	120	ns
			4.5V	10	16	20	24	ns
			6.0V	9	14	18	20	ns
t_{THL}, t_{TLH}	Maximum Output Rise and Fall Time, Clock	$C_L=50\text{ pF}$	2.0V	25	60	75	90	ns
			4.5V	7	12	15	18	ns
			6.0V	6	10	13	15	ns
C_{PD}	Power Dissipation Capacitance (Note 5)	(per latch) $OC=V_{CC}$ $OC=Gnd$		30				pF
C_{IN}	Maximum Input Capacitance			5	10	10	10	pF
C_{OUT}	Maximum Output Capacitance			15	20	20	20	pF

Note 5: C_{PD} determines the no load dynamic power consumption, $P_D=C_{PD} V_{CC}^2 f + I_{CC} V_{CC}$, and the no load dynamic current consumption, $I_S=C_{PD} V_{CC} f + I_{CC}$.

This datasheet has been download from:

www.datasheetcatalog.com

Datasheets for electronics components.

National Semiconductor was acquired by Texas Instruments.

http://www.ti.com/corp/docs/investor_relations/pr_09_23_2011_national_semiconductor.html

This file is the datasheet for the following electronic components:

MM54HC533 - <http://www.ti.com/product/mm54hc533?HQS=TI-null-null-dscatalog-df-pf-null-wwe>

MM74HC533 - <http://www.ti.com/product/mm74hc533?HQS=TI-null-null-dscatalog-df-pf-null-wwe>