

# SN54LS292, SN54LS294, SN74LS292, SN74LS294 PROGRAMMABLE FREQUENCY DIVIDERS/DIGITAL TIMERS

SDLS153 – D2628, JANUARY 1981 – REVISED MARCH 1988

- **Count Divider Chain**
- **Digitally Programmable from  $2^2$  to  $2^n$**   
( $n = 31$  for 'LS292,  $n = 15$  for 'LS294)
- **Useable Frequency Range from DC to 30 MHz**
- **Easily Expandable**
- **Applications**
  - **Frequency Division**
  - **Digital Timing**

## description

These programmable frequency dividers/digital timers contain 31 flip-flops plus 30 gates ('LS292) or 15 flip-flops plus 29 gates ('LS294) on a single chip. The count modulo is under digital control of the inputs provided.

Both types feature an active-low clear input to initialize the state of all flip-flops. To facilitate incoming inspection, test points are provided (TP1, TP2, and TP3 on the 'LS292 and TP on the 'LS294). These test points are not intended to drive system loads. Both types feature two clock inputs; either one may be used for clock gating. (See the function table below.)

A brief look at the digital timing capabilities of the 'LS292 will show that with a 1-MHz input frequency, programming for  $2^{10}$  will give a period of 1.024 ms, and  $2^{20}$  will give a period of 1.05 sec,  $2^{26}$  will give a period of 1.12 min, and  $2^{31}$  will give a period of 35.79 min.

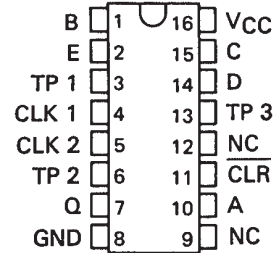
These devices are easily cascadable giving limitless possibilities to timing delays that can be achieved.

FUNCTION TABLE

CLEAR	CLK 1	CLK 2	Q OUTPUT MODE
L	X	X	Cleared to L
H	↑	L	Count
H	L	↑	Count
H	H	X	Inhibit
H	X	H	Inhibit

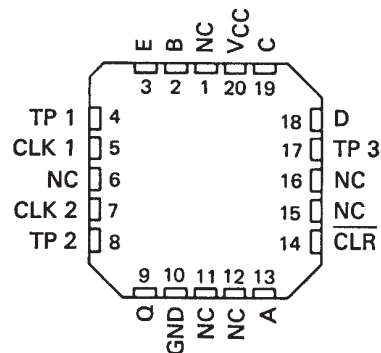
SN54LS292 . . . J OR W PACKAGE  
SN74LS292 . . . N PACKAGE

(TOP VIEW)



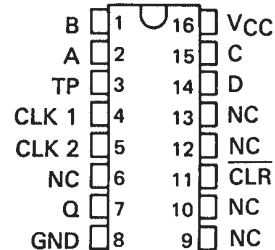
SN54LS292 . . . FK PACKAGE

(TOP VIEW)



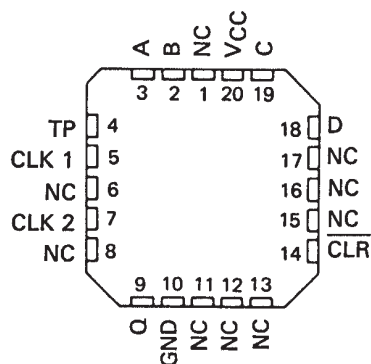
SN54LS294 . . . J OR W PACKAGE  
SN74LS294 . . . N PACKAGE

(TOP VIEW)



SN54LS294 . . . FK PACKAGE

(TOP VIEW)



NC – No internal connection.

PRODUCTION DATA information is current as of publication date. Products conform to specifications per the terms of Texas Instruments standard warranty. Production processing does not necessarily include testing of all parameters.



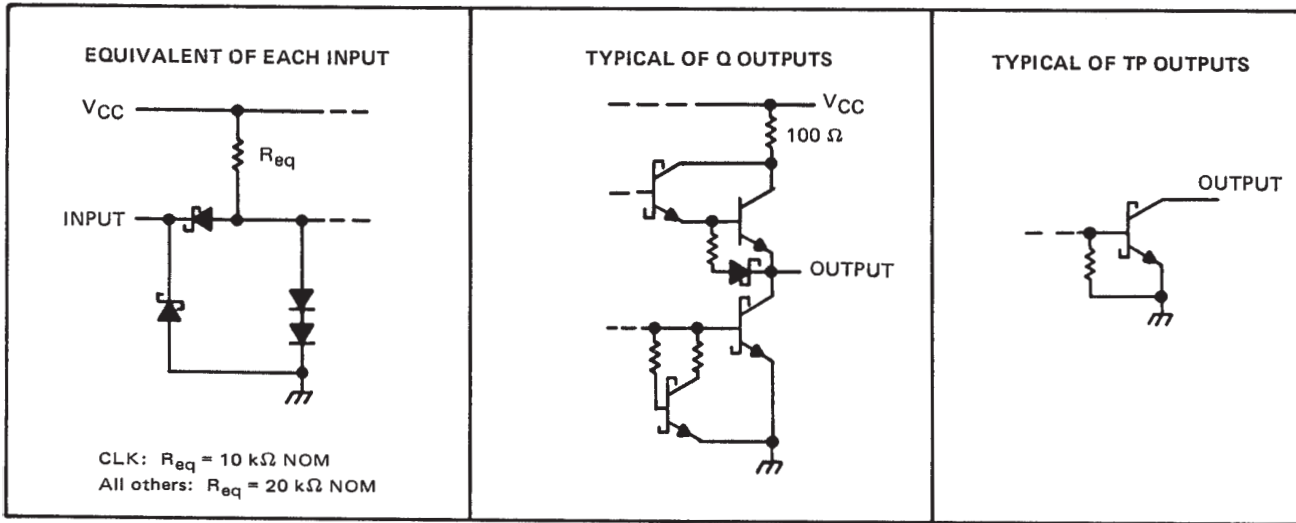
POST OFFICE BOX 655303 • DALLAS, TEXAS 75265

Copyright © 1988, Texas Instruments Incorporated

# SN54LS292, SN54LS294, SN74LS292, SN74LS294 PROGRAMMABLE FREQUENCY DIVIDERS/DIGITAL TIMERS

SDLS153 – D2628, JANUARY 1981 – REVISED MARCH 1988

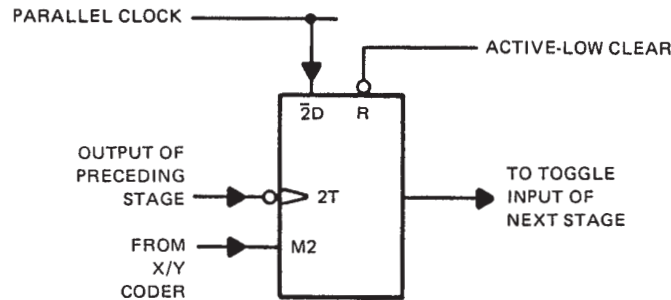
## schematics of inputs and outputs



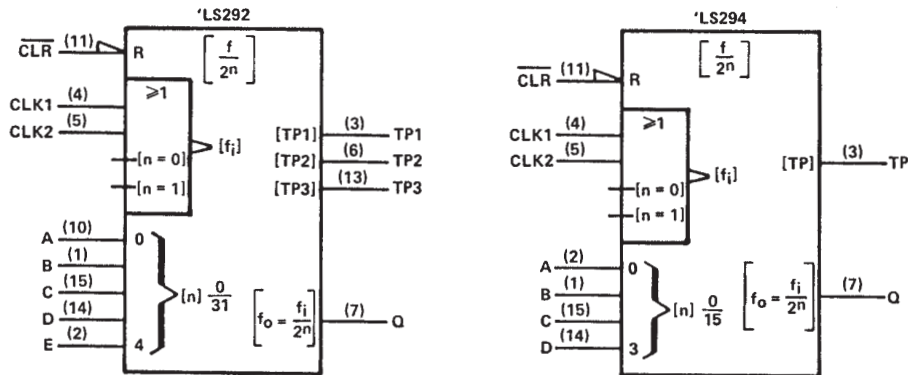
## operation

The functional block diagram shows that the count modulo is controlled by an X/Y decoder connected to the mode control inputs of several flip-flops. These flip-flops with mode controls each have a "D" input connected to the parallel clock line and a "T" input driven by the preceding stage. The parallel clock frequency is always the input frequency divided by four.

The X/Y decoder output selected by the programming inputs goes low. While a mode control is low, the "D" input of that flip-flop is enabled, and the signal from the parallel clock line ( $f_{in} \div 4$ ) is passed to the "T" input of the following stage. All the other mode controls are high enabling the "T" inputs and causing each flip-flop in turn to divide by two.



## logic symbols†



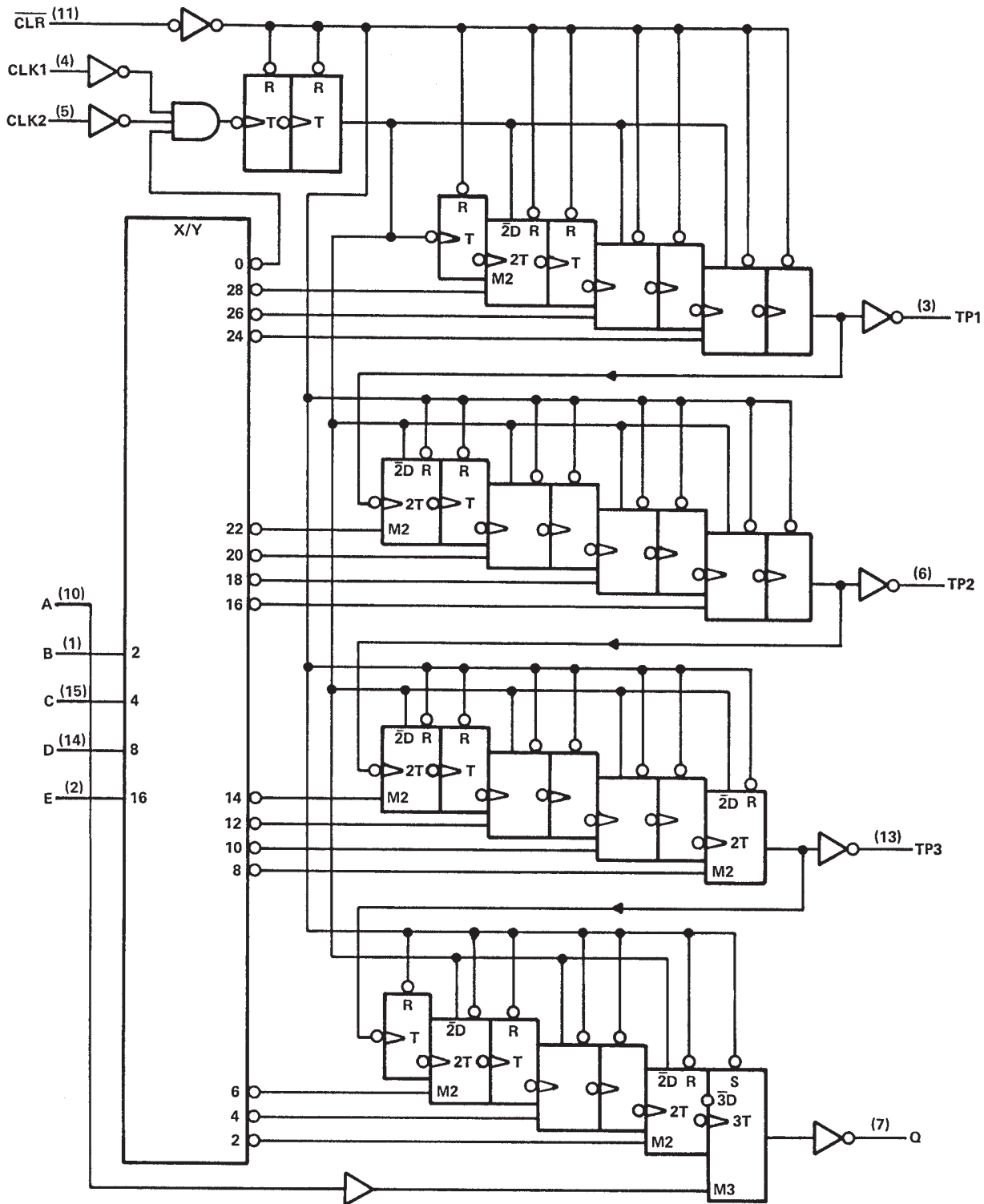
†These symbols are in accordance with ANSI/IEEE Std 91-1984 and IEC Publication 617-12. Pin numbers shown are for J, N, and W packages.

# SN54LS292, SN54LS294, SN74LS292, SN74LS294 PROGRAMMABLE FREQUENCY DIVIDERS/DIGITAL TIMERS

SDLS153 - D2628, JANUARY 1981 - REVISED MARCH 1988

logic diagram (positive logic)

'LS292



Pin numbers shown are for J, N, and W packages.

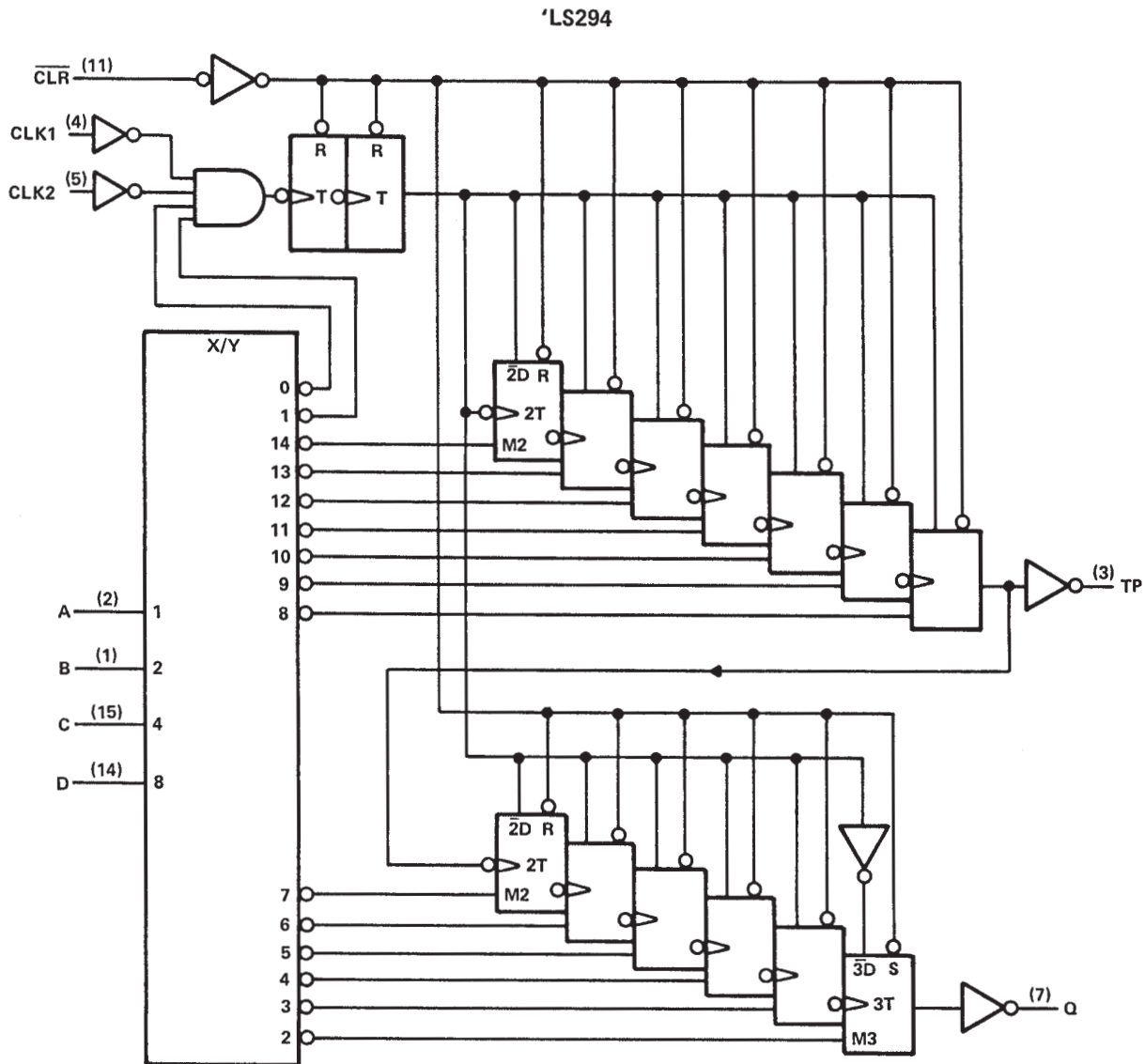


POST OFFICE BOX 655303 • DALLAS, TEXAS 75265

# SN54LS292, SN54LS294, SN74LS292, SN74LS294 PROGRAMMABLE FREQUENCY DIVIDERS/DIGITAL TIMERS

SDLS153 – D2628, JANUARY 1981 – REVISED MARCH 1988

logic diagram (positive logic)



Pin numbers shown are for J, N, and W packages.

## absolute maximum ratings over operating free-air temperature range (unless otherwise noted)

Supply voltage, $V_{CC}$ (see Note 1)	7 V
Input voltage	7 V
Operating free-air temperature range: SN54LS292, SN54LS294	-55°C to 125°C
SN74LS292, SN74LS294	0°C to 70°C
Storage temperature range	-65°C to 150°C

NOTE 1: Voltage values are with respect to network ground terminal.



POST OFFICE BOX 655303 • DALLAS, TEXAS 75265

# SN54LS292, SN54LS294, SN74LS292, SN74LS294 PROGRAMMABLE FREQUENCY DIVIDERS/DIGITAL TIMERS

SDLS153 – D2628, JANUARY 1981 – REVISED MARCH 1988

## recommended operating conditions

		SN54LS'			SN74LS'			UNIT
		MIN	NOM	MAX	MIN	NOM	MAX	
V <sub>CC</sub>	Supply voltage	4.5	5	5.5	4.75	5	5.25	V
V <sub>IH</sub>	High-level input voltage	2			2			V
V <sub>IL</sub>	Low-level input voltage				0.8			V
I <sub>OH</sub>	High-level output current (Q only)				-1.2			mA
I <sub>OL</sub>	Low-level output current (Q only)				24			mA
f <sub>clock</sub>	Clock frequency	0	30		0	30		MHz
t <sub>w</sub>	Duration of clock input pulse	16			16			ns
t <sub>w</sub>	Duration of clear pulse	'LS292		55		55		ns
		'LS294		35		35		
t <sub>su</sub>	Clear inactive-state setup time	15			15			ns
T <sub>A</sub>	Operating free-air temperature	-55		125		0 70		°C

## electrical characteristics over recommended operating free-air temperature range (unless otherwise noted)

PARAMETER		TEST CONDITIONS†		SN54LS'			SN74LS'			UNIT
				MIN	TYP‡	MAX	MIN	TYP‡	MAX	
V <sub>IK</sub>		V <sub>CC</sub> = MIN, I <sub>I</sub> = -18 mA		-1.5			-1.5			V
V <sub>OH</sub>	Q	V <sub>CC</sub> = MIN, V <sub>IH</sub> = 2 V, I <sub>OH</sub> = -1.2 mA, V <sub>IL</sub> = MAX		2.4	3.4		2.4	3.4		V
V <sub>OL</sub>	Q	V <sub>CC</sub> = MIN, V <sub>IH</sub> = 2 V, V <sub>IL</sub> = MAX	I <sub>OL</sub> = 12 mA	0.25	0.4		0.25	0.4		V
			I <sub>OL</sub> = 24 mA				0.35	0.5		
			I <sub>OL</sub> = 0.5 mA				0.25	0.4		
I <sub>I</sub>		V <sub>CC</sub> = MAX, V <sub>I</sub> = 7 V		0.1			0.1			mA
I <sub>IH</sub>		V <sub>CC</sub> = MAX, V <sub>I</sub> = 2.7 V		20			20			μA
I <sub>IL</sub>	CLK1, CLK2	V <sub>CC</sub> = MAX, V <sub>I</sub> = 0.4 V		-0.8			-0.8			mA
	All others			-0.4			-0.4			
I <sub>OS</sub> §	Q	V <sub>CC</sub> = MAX		-30		-130	-30		-130	mA
I <sub>CC</sub>	'LS292	V <sub>CC</sub> = MAX, All inputs grounded, All outputs open		40	75		40	75		mA
	'LS294			30	50		30	50		

† For conditions shown as MIN or MAX, use the appropriate value specified under recommended operating conditions.

‡ All typical values are at V<sub>CC</sub> = 5 V, T<sub>A</sub> = 25°C.

§ The duration of the short-circuit should not exceed one second.

¶ The TP output or outputs are not intended to drive external loads but are solely provided for test points.

# SN54LS292, SN54LS294, SN74LS292, SN74LS294 PROGRAMMABLE FREQUENCY DIVIDERS/DIGITAL TIMERS

SDLS153 – D2628, JANUARY 1981 – REVISED MARCH 1988

switching characteristics,  $V_{CC} = 5\text{ V}$ ,  $T_A = 25^\circ\text{C}$ ,  $R_L = 667\ \Omega$ ,  $C_L = 45\text{ pF}$  (see Figure 1)

PARAMETER†	FROM (INPUT)	TO (OUTPUT)	TEST CONDITIONS	'LS292			'LS294			UNIT
				MIN	TYP	MAX	MIN	TYP	MAX	
$f_{\text{max}}$	CLK1 or 2			30	50		30	50	MHz	
$t_{\text{PLH}}$		Q	Modulo set at 22, A thru E = LLLHL ('LS292) A thru D = LLHL ('LS294)	55	90		55	90	ns	
$t_{\text{PHL}}$		Q		80	120		80	120	ns	
$t_{\text{PHL}}$	CLR	Q		85	130		35	65	ns	

† $f_{\text{MAX}}$  = maximum clock frequency

$t_{\text{PLH}}$  = Propagation delay time, low-to-high-level output

$t_{\text{PHL}}$  = Propagation delay time, high-to-low-level output

NOTE 2: Load circuits and voltage waveforms are shown in Section 1. To be used on TP outputs only.

'LS292 FUNCTION TABLE

PROGRAMMING INPUTS					FREQUENCY DIVISION							
					Q		TP1		TP2		TP3	
E	D	C	B	A	BINARY	DECIMAL	BINARY	DECIMAL	BINARY	DECIMAL	BINARY	DECIMAL
L	L	L	L	L	Inhibit	Inhibit	Inhibit	Inhibit	Inhibit	Inhibit	Inhibit	Inhibit
L	L	L	L	H	Inhibit	Inhibit	Inhibit	Inhibit	Inhibit	Inhibit	Inhibit	Inhibit
L	L	L	H	L	2 <sup>2</sup>	4	2 <sup>9</sup>	512	2 <sup>17</sup>	131,072	2 <sup>24</sup>	16,777,216
L	L	L	H	H	2 <sup>3</sup>	8	2 <sup>9</sup>	512	2 <sup>17</sup>	131,072	2 <sup>24</sup>	16,777,216
L	L	H	L	L	2 <sup>4</sup>	16	2 <sup>9</sup>	512	2 <sup>17</sup>	131,072	2 <sup>24</sup>	16,777,216
L	L	H	L	H	2 <sup>5</sup>	32	2 <sup>9</sup>	512	2 <sup>17</sup>	131,072	2 <sup>24</sup>	16,777,216
L	L	H	H	L	2 <sup>6</sup>	64	2 <sup>9</sup>	512	2 <sup>17</sup>	131,072	2 <sup>24</sup>	16,777,216
L	L	H	H	H	2 <sup>7</sup>	128	2 <sup>9</sup>	512	2 <sup>17</sup>	131,072	2 <sup>24</sup>	16,777,216
L	H	L	L	L	2 <sup>8</sup>	256	2 <sup>9</sup>	512	2 <sup>17</sup>	131,072	2 <sup>2</sup>	4
L	H	L	L	H	2 <sup>9</sup>	512	2 <sup>9</sup>	512	2 <sup>17</sup>	131,072	2 <sup>2</sup>	4
L	H	L	H	L	2 <sup>10</sup>	1,024	2 <sup>9</sup>	512	2 <sup>17</sup>	131,072	2 <sup>4</sup>	16
L	H	L	H	H	2 <sup>11</sup>	2,048	2 <sup>9</sup>	512	2 <sup>17</sup>	131,072	2 <sup>4</sup>	16
L	H	H	L	L	2 <sup>12</sup>	4,096	2 <sup>9</sup>	512	2 <sup>17</sup>	131,072	2 <sup>6</sup>	64
L	H	H	L	H	2 <sup>13</sup>	8,192	2 <sup>9</sup>	512	2 <sup>17</sup>	131,072	2 <sup>6</sup>	64
L	H	H	H	L	2 <sup>14</sup>	16,384	2 <sup>9</sup>	512	Disabled Low		2 <sup>8</sup>	256
L	H	H	H	H	2 <sup>15</sup>	32,768	2 <sup>9</sup>	512	Disabled Low		2 <sup>8</sup>	256
H	L	L	L	L	2 <sup>16</sup>	65,536	2 <sup>9</sup>	512	2 <sup>3</sup>	8	2 <sup>10</sup>	1,024
H	L	L	L	H	2 <sup>17</sup>	131,072	2 <sup>9</sup>	512	2 <sup>3</sup>	8	2 <sup>10</sup>	1,024
H	L	L	H	L	2 <sup>18</sup>	262,144	2 <sup>9</sup>	512	2 <sup>5</sup>	32	2 <sup>12</sup>	4,096
H	L	L	H	H	2 <sup>19</sup>	524,288	2 <sup>9</sup>	512	2 <sup>5</sup>	32	2 <sup>12</sup>	4,096
H	L	H	L	L	2 <sup>20</sup>	1,048,576	2 <sup>9</sup>	512	2 <sup>7</sup>	128	2 <sup>14</sup>	16,384
H	L	H	L	H	2 <sup>21</sup>	2,097,152	2 <sup>9</sup>	512	2 <sup>7</sup>	128	2 <sup>14</sup>	16,384
H	L	H	H	L	2 <sup>22</sup>	4,194,304	Disabled Low		2 <sup>9</sup>	512	2 <sup>16</sup>	65,536
H	L	H	H	H	2 <sup>23</sup>	8,388,608	Disabled Low		2 <sup>9</sup>	512	2 <sup>16</sup>	65,536
H	H	L	L	L	2 <sup>24</sup>	16,777,216	2 <sup>3</sup>	8	2 <sup>11</sup>	2,048	2 <sup>18</sup>	262,144
H	H	L	L	H	2 <sup>25</sup>	33,554,432	2 <sup>3</sup>	8	2 <sup>11</sup>	2,048	2 <sup>18</sup>	262,144
H	H	L	H	L	2 <sup>26</sup>	67,108,864	2 <sup>5</sup>	32	2 <sup>13</sup>	8,192	2 <sup>20</sup>	1,048,576
H	H	L	H	H	2 <sup>27</sup>	134,217,728	2 <sup>5</sup>	32	2 <sup>13</sup>	8,192	2 <sup>20</sup>	1,048,576
H	H	H	L	L	2 <sup>28</sup>	268,435,456	2 <sup>7</sup>	128	2 <sup>15</sup>	32,768	2 <sup>22</sup>	4,194,304
H	H	H	L	H	2 <sup>29</sup>	536,870,912	2 <sup>7</sup>	128	2 <sup>15</sup>	32,768	2 <sup>22</sup>	4,194,304
H	H	H	H	L	2 <sup>30</sup>	1,073,741,824	2 <sup>9</sup>	512	2 <sup>17</sup>	131,072	2 <sup>24</sup>	16,777,216
H	H	H	H	H	2 <sup>31</sup>	2,147,483,648	2 <sup>9</sup>	512	2 <sup>17</sup>	131,072	2 <sup>24</sup>	16,777,216



# SN54LS292, SN54LS294, SN74LS292, SN74LS294 PROGRAMMABLE FREQUENCY DIVIDERS/DIGITAL TIMERS

SDLS153 – D2628, JANUARY 1981 – REVISED MARCH 1988

'LS294 FUNCTION TABLE

PROGRAMMING INPUTS				FREQUENCY DIVISION			
				Q		TP	
D	C	B	A	BINARY	DECIMAL	BINARY	DECIMAL
L	L	L	L	Inhibit	Inhibit	Inhibit	Inhibit
L	L	L	H	Inhibit	Inhibit	Inhibit	Inhibit
L	L	H	L	2 <sup>2</sup>	4	2 <sup>9</sup>	512
L	L	H	H	2 <sup>3</sup>	8	2 <sup>9</sup>	512
L	H	L	L	2 <sup>4</sup>	16	2 <sup>9</sup>	512
L	H	L	H	2 <sup>5</sup>	32	2 <sup>9</sup>	512
L	H	H	L	2 <sup>6</sup>	64	2 <sup>9</sup>	512
L	H	H	H	2 <sup>7</sup>	128	Disabled Low	
H	L	L	L	2 <sup>8</sup>	256	2 <sup>2</sup>	4
H	L	L	H	2 <sup>9</sup>	512	2 <sup>3</sup>	8
H	L	H	L	2 <sup>10</sup>	1,024	2 <sup>4</sup>	16
H	L	H	H	2 <sup>11</sup>	2,048	2 <sup>5</sup>	32
H	H	L	L	2 <sup>12</sup>	4,096	2 <sup>6</sup>	64
H	H	L	H	2 <sup>13</sup>	8,192	2 <sup>7</sup>	128
H	H	H	L	2 <sup>14</sup>	16,384	2 <sup>8</sup>	256
H	H	H	H	2 <sup>15</sup>	32,768	2 <sup>9</sup>	512

switching loads

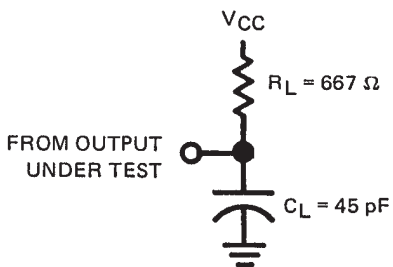
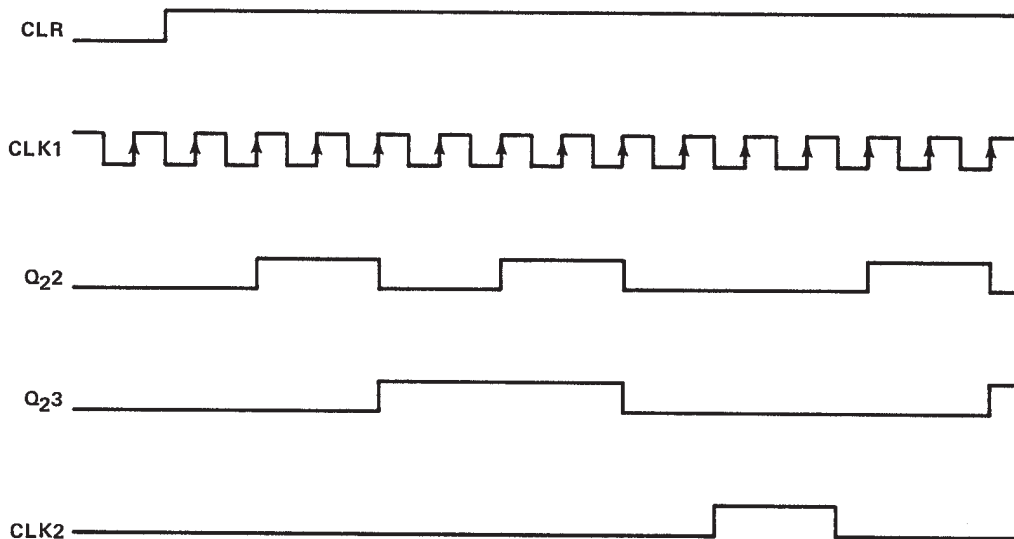


FIGURE 1

'LS292 and 'LS294 timing diagram





## **IMPORTANT NOTICE**

Texas Instruments and its subsidiaries (TI) reserve the right to make changes to their products or to discontinue any product or service without notice, and advise customers to obtain the latest version of relevant information to verify, before placing orders, that information being relied on is current and complete. All products are sold subject to the terms and conditions of sale supplied at the time of order acknowledgement, including those pertaining to warranty, patent infringement, and limitation of liability.

TI warrants performance of its semiconductor products to the specifications applicable at the time of sale in accordance with TI's standard warranty. Testing and other quality control techniques are utilized to the extent TI deems necessary to support this warranty. Specific testing of all parameters of each device is not necessarily performed, except those mandated by government requirements.

**CERTAIN APPLICATIONS USING SEMICONDUCTOR PRODUCTS MAY INVOLVE POTENTIAL RISKS OF DEATH, PERSONAL INJURY, OR SEVERE PROPERTY OR ENVIRONMENTAL DAMAGE ("CRITICAL APPLICATIONS"). TI SEMICONDUCTOR PRODUCTS ARE NOT DESIGNED, AUTHORIZED, OR WARRANTED TO BE SUITABLE FOR USE IN LIFE-SUPPORT DEVICES OR SYSTEMS OR OTHER CRITICAL APPLICATIONS. INCLUSION OF TI PRODUCTS IN SUCH APPLICATIONS IS UNDERSTOOD TO BE FULLY AT THE CUSTOMER'S RISK.**

In order to minimize risks associated with the customer's applications, adequate design and operating safeguards must be provided by the customer to minimize inherent or procedural hazards.

TI assumes no liability for applications assistance or customer product design. TI does not warrant or represent that any license, either express or implied, is granted under any patent right, copyright, mask work right, or other intellectual property right of TI covering or relating to any combination, machine, or process in which such semiconductor products or services might be or are used. TI's publication of information regarding any third party's products or services does not constitute TI's approval, warranty or endorsement thereof.