

# LM2878 Dual 5 Watt Power Audio Amplifier

## General Description

The LM2878 is a high voltage stereo power amplifier designed to deliver 5W/channel continuous into 8Ω loads. The amplifier is ideal for use with low regulation power supplies due to the absolute maximum rating of 35V and its superior power supply rejection. The LM2878 is designed to operate with a low number of external components, and still provide flexibility for use in stereo phonographs, tape recorders, and AM-FM stereo receivers. The flexibility of the LM2878 allows it to be used as a power operational amplifier, power comparator or servo amplifier. The LM2878 is internally compensated for all gains greater than 10, and comes in an 11-lead single-in-line package (SIP). The package has been redesigned, resulting in the slightly degraded thermal characteristics shown in the figure Device Dissipation vs Ambient Temperature.

## Features

- Wide operating range 6V–32V
- 5W/channel output
- 60 dB ripple rejection, output referred
- 70 dB channel separation, output referred
- Low crossover distortion
- AC short circuit protected
- Internal thermal shutdown

## Applications

- Stereo phonographs
- AM-FM radio receivers
- Power op amp, power comparator
- Servo amplifiers

## Typical Applications

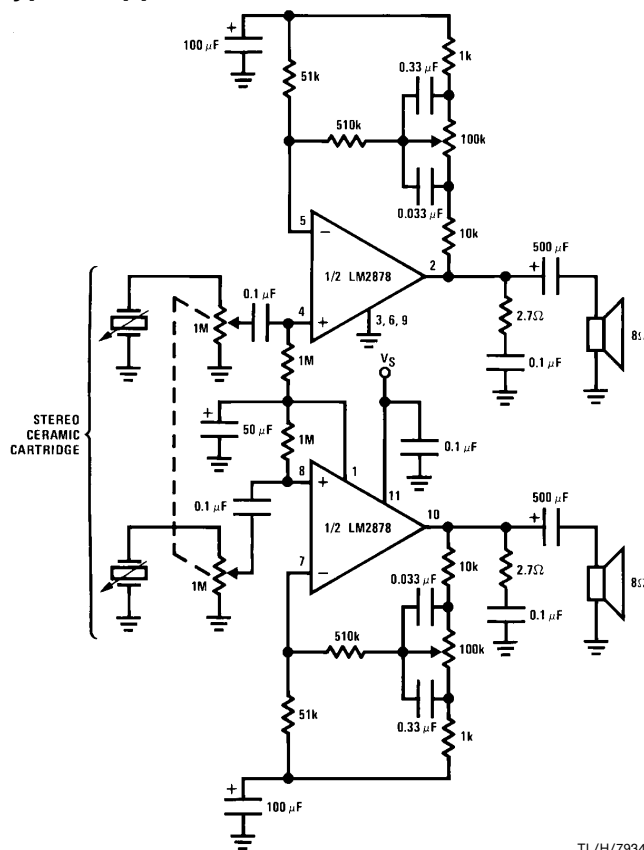
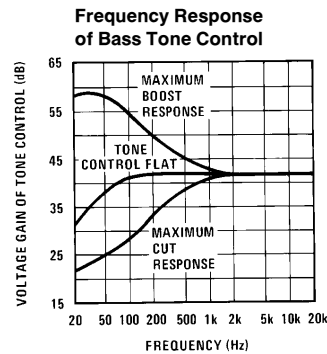


FIGURE 1. Stereo Phonograph Amplifier with Bass Tone Control



LM2878 Dual 5 Watt Power Audio Amplifier

## Absolute Maximum Ratings

If Military/Aerospace specified devices are required, please contact the National Semiconductor Sales Office/Distributors for availability and specifications.

Supply Voltage	35V
Input Voltage (Note 1)	±0.7V
Operating Temperature (Note 2)	0°C to +70°C

Storage Temperature	-65°C to +150°C
Junction Temperature	+150°C
Lead Temperature (Soldering, 10 sec.)	+260°C
Thermal Resistance	
$\theta_{JC}$	10°C/W
$\theta_{JA}$	55°C/W

## Electrical Characteristics $V_S = 22V, T_{TAB} = 25^\circ C, R_L = 8\Omega, A_V = 50$ (34 dB) unless otherwise specified.

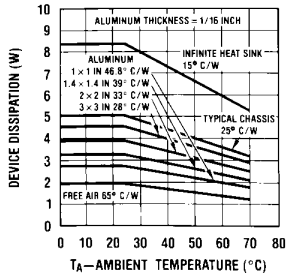
Parameter	Conditions	Min	Typ	Max	Units
Total Supply Current	$P_O = 0W$		10	50	mA
Operating Supply Voltage		6		32	V
Output Power/Channel	$f = 1 \text{ kHz, THD} = 10\%, T_{TAB} = 25^\circ C$ $f = 1 \text{ kHz, THD} = 10\%, V_S = 12V$	5	5.5 1.3		W W
Distortion	$f = 1 \text{ kHz, } R_L = 8\Omega$ $P_O = 50 \text{ mW}$		0.20		%
	$P_O = 0.5W$		0.15		%
	$P_O = 2W$		0.14		%
Output Swing	$R_L = 8\Omega$		$V_S - 6V$		Vp-p
Channel Separation	$C_{BYPASS} = 50 \mu F, C_{IN} = 0.1 \mu F$ $f = 1 \text{ kHz, Output Referred}$ $V_O = 4 V_{rms}$	-50	-70		dB
PSRR Power Supply Rejection Ratio	$C_{BYPASS} = 50 \mu F, C_{IN} = 0.1 \mu F$ $f = 120 \text{ Hz, Output Referred}$ $V_{ripple} = 1 V_{rms}$	-50	-60		dB
PSRR Negative Supply	Measured at DC, Input Referred		-60		dB
Common-Mode Range	Split Supplies $\pm 15V$ , Pin 1 Tied to Pin 11		$\pm 13.5$		V
Input Offset Voltage			10		mV
Noise	Equivalent Input Noise $R_S = 0, C_{IN} = 0.1 \mu F$ $BW = 20 - 20 \text{ kHz}$		2.5		$\mu V$
	CCIR•ARM		3.0		$\mu V$
	Output Noise Wideband $R_S = 0, C_{IN} = 0.1 \mu F, A_V = 200$		0.8		mV
Open Loop Gain	$R_S = 51\Omega, f = 1 \text{ kHz, } R_L = 8\Omega$		70		dB
Input Bias Current			100		nA
Input Impedance	Open Loop		4		M $\Omega$
DC Output Voltage	$V_S = 22V$	10	11	12	V
Slew Rate			2		V/ $\mu S$
Power Bandwidth	3 dB Bandwidth at 2.5W		65		kHz
Current Limit			1.5		A

**Note 1:**  $\pm 0.7V$  applies to audio applications; for extended range, see Application Hints.

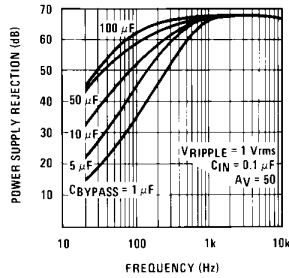
**Note 2:** For operation at ambient temperature greater than 25°C, the LM2878 must be derated based on a maximum 150°C junction temperature using a thermal resistance which depends upon device mounting techniques.

# Typical Performance Characteristics

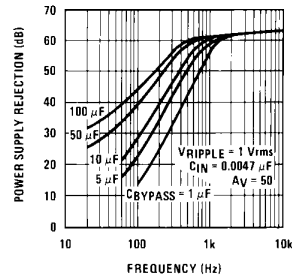
**Device Dissipation vs Ambient Temperature**



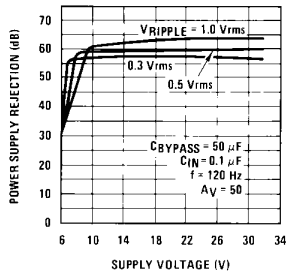
**Power Supply Rejection Ratio (Referred to the Output) vs Frequency**



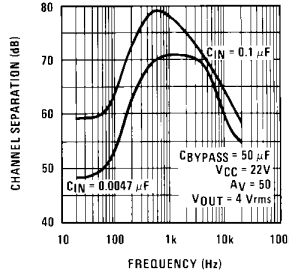
**Power Supply Rejection Ratio (Referred to the Output) vs Frequency**



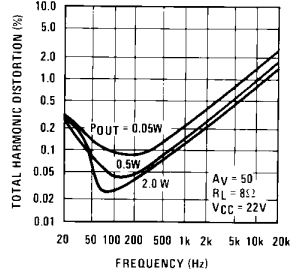
**Power Supply Rejection Ratio (Referred to the Output) vs Supply Voltage**



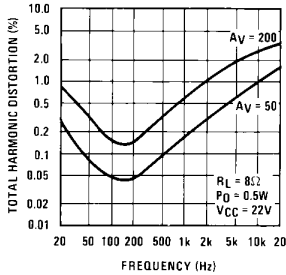
**Channel Separation (Referred to the Output) vs Frequency**



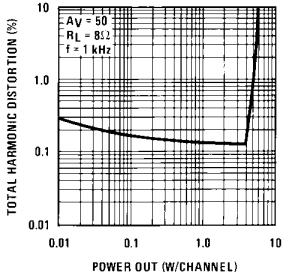
**Total Harmonic Distortion vs Frequency**



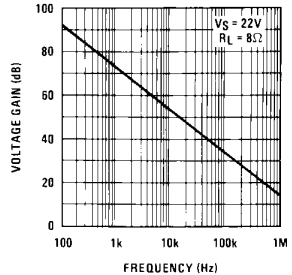
**Total Harmonic Distortion vs Frequency**



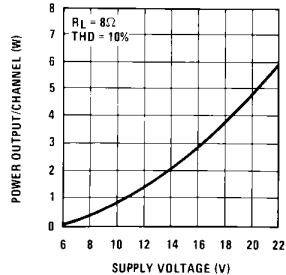
**Total Harmonic Distortion vs Power Out**



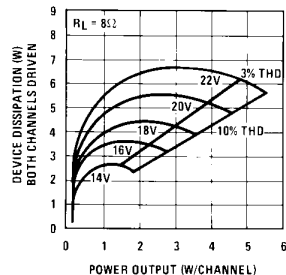
**Open Loop Gain vs Frequency**



**Power Output/Channel vs Supply Voltage**



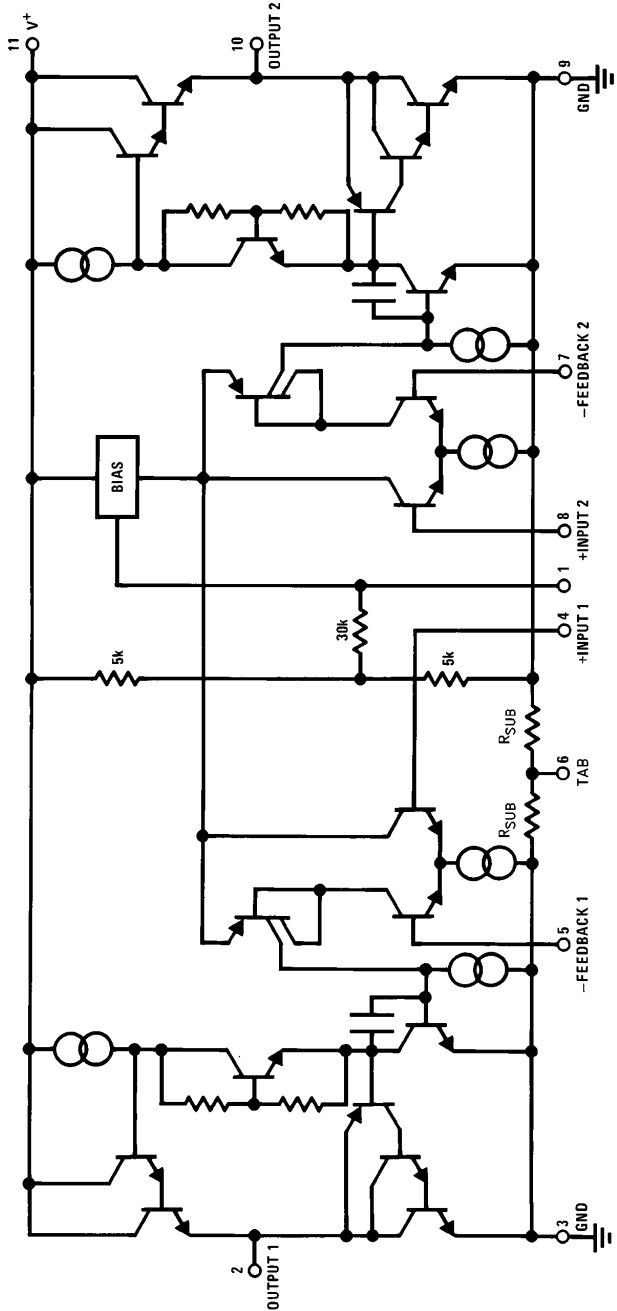
**Power Dissipation vs Power Out**



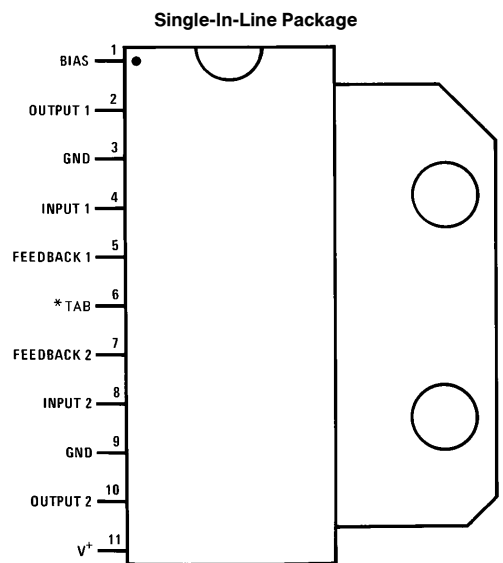
TL/H/7934-3

# Equivalent Schematic Diagram

TLH/7834-4



## Connection Diagram



\*Pin 6 must be connected to GND.

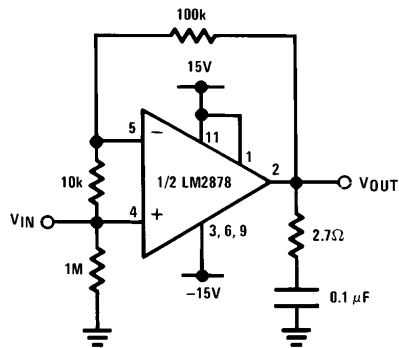
**Order Number LM2878P**  
See NS Package Number P11A

## Application Hints

The LM2878 is an improved LM378 in typical audio applications. In the LM2878, the internal voltage regulator for the input stage is generated from the voltage on pin 1. Normally, the input common-mode range is within  $\pm 0.7V$  of this pin 1 voltage. Nevertheless the common-mode range can be increased by externally forcing the voltage on pin 1. One way to do this is to short pin 1 to the positive supply, pin 11.

The only special care required with the LM2878 is to limit the maximum input differential voltage to  $\pm 7V$ . If this differential voltage is exceeded, the input characteristics may change.

Figure 2 shows a power op amp application with  $A_V = 1$ . The 100k and 10k resistors set a noise gain of 10 and are dictated by amplifier stability. The 10k resistor is bootstrapped by the feedback so the input resistance is dominated by the 1 M $\Omega$  resistor.



TL/H/7934-6

**FIGURE 2. Operational Power Amplifier,  $A_V = 1$**

### External Components (Figure 3)

1. R2, R5, R7, R10 Sets voltage gain  $A_V = 1 + R2/R5$  for one channel and  $A_V = 1 + R10/R7$  for the other channel.
2. R4, R8 Resistors set input impedance and supply bias current for the positive input.
3. R<sub>O</sub> Works with C<sub>O</sub> to stabilize output stage.
4. C1 Improves power supply rejection (see Typical Performance Characteristics).
5. C11 Stabilizes amplifier, may need to be larger depending on power supply filtering.

6. C4, C8 Input coupling capacitor. Pins 4 and 8 are at a DC potential of  $V_S/2$ . Low frequency pole set by:
 
$$f_L = \frac{1}{2\pi R4C4}$$
7. C5, C7 Feedback capacitors. Ensure unity gain at DC. Also low frequency pole at:
 
$$f_L = \frac{1}{2\pi R5C5}$$
8. C<sub>O</sub> Works with R<sub>O</sub> to stabilize output stage.
9. C2, C10 Output coupling capacitor. Low frequency pole given by:
 
$$f_L = \frac{1}{R\pi RLC2}$$

### Typical Applications (Continued)

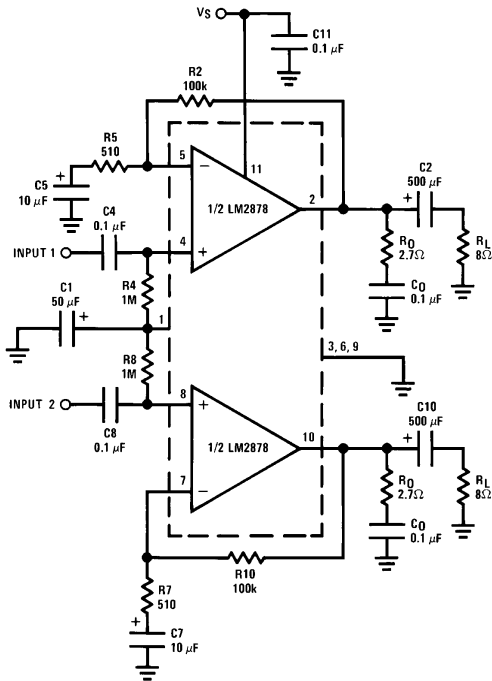


FIGURE 3. Stereo Amplifier with  $A_V = 200$  TL/H/7934-7

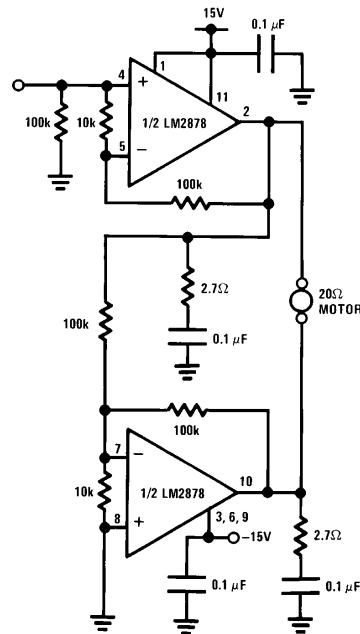
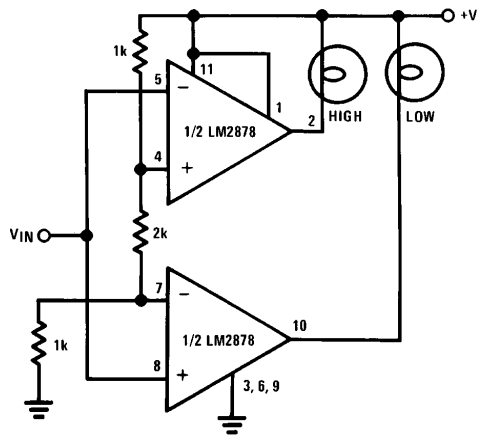


FIGURE 4. LM2878 Servo Amplifier in Bridge Configuration TL/H/7934-8

**Typical Applications** (Continued)



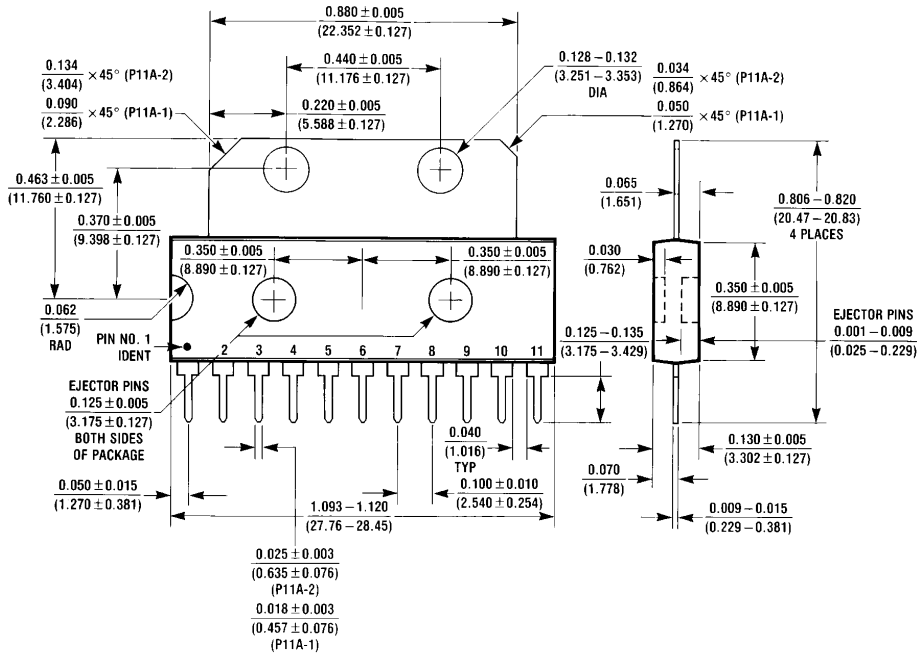
**Truth Table**

$V_{IN}$	High	Low
$< \frac{1}{4}V^+$	Off	On
$\frac{1}{4}V^+$ to $\frac{3}{4}V^+$	Off	Off
$> \frac{3}{4}V^+$	On	Off

TL/H/7934-9

**FIGURE 5. Window Comparator Driving High, Low Lamps**

**Physical Dimensions** inches (millimeters)



**Single-In-Line Package (P)  
Order Number LM2878P  
NS Package Number P11A**

**LIFE SUPPORT POLICY**

NATIONAL'S PRODUCTS ARE NOT AUTHORIZED FOR USE AS CRITICAL COMPONENTS IN LIFE SUPPORT DEVICES OR SYSTEMS WITHOUT THE EXPRESS WRITTEN APPROVAL OF THE PRESIDENT OF NATIONAL SEMICONDUCTOR CORPORATION. As used herein:

1. Life support devices or systems are devices or systems which, (a) are intended for surgical implant into the body, or (b) support or sustain life, and whose failure to perform, when properly used in accordance with instructions for use provided in the labeling, can be reasonably expected to result in a significant injury to the user.
2. A critical component is any component of a life support device or system whose failure to perform can be reasonably expected to cause the failure of the life support device or system, or to affect its safety or effectiveness.



**National Semiconductor Corporation**  
1111 West Bardin Road  
Arlington, TX 76017  
Tel: 1(800) 272-9959  
Fax: 1(800) 737-7018

**National Semiconductor Europe**  
Fax: (+49) 0-180-530 85 86  
Email: cnjwge@tevm2.nsc.com  
Deutsch Tel: (+49) 0-180-530 85 85  
English Tel: (+49) 0-180-532 78 32  
Français Tel: (+49) 0-180-532 93 58  
Italiano Tel: (+49) 0-180-534 16 80

**National Semiconductor Hong Kong Ltd.**  
19th Floor, Straight Block,  
Ocean Centre, 5 Canton Rd.  
Tsimshatsui, Kowloon  
Hong Kong  
Tel: (852) 2737-1600  
Fax: (852) 2736-9960

**National Semiconductor Japan Ltd.**  
Tel: 81-043-299-2309  
Fax: 81-043-299-2408

National does not assume any responsibility for use of any circuitry described, no circuit patent licenses are implied and National reserves the right at any time without notice to change said circuitry and specifications.