

LM397

Single General Purpose Voltage Comparator

General Description

The LM397 is a single voltage comparator with an input common mode that includes ground. The LM397 is designed to operate from a single 5V to 30V power supply or a split power supply. Its low supply current is virtually independent of the magnitude of the supply voltage.

The LM397 features an open collector output stage. This allows the connection of an external resistor at the output. The output can directly interface with TTL, CMOS and other logic levels, by tying the resistor to different voltage levels (level translator).

The LM397 is available in space saving 5-Pin SOT23 package and pin compatible to TI's TL331, single differential comparator.

Features

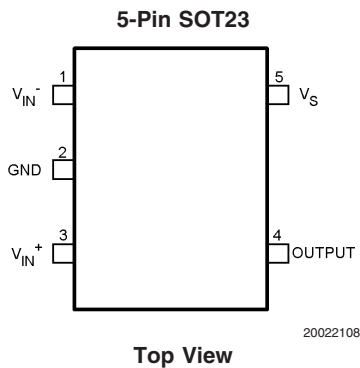
($T_A = 25^\circ\text{C}$. Typical values unless otherwise specified).

- 5-Pin SOT23 package
- Industrial operating range -40°C to +85°C
- Single or dual power supplies
- Wide supply voltage range 5V to 30V
- Low supply current 300µA
- Low input bias current 7nA
- Low input offset current ±1nA
- Low input offset voltage ±2mV
- Response time 440ns (50mV overdrive)
- Input common mode voltage 0 to $V_S - 1.5V$

Applications

- A/D converters
- Pulse, square wave generators
- Peak detector
- Industrial applications

Connection Diagram



Typical Circuit

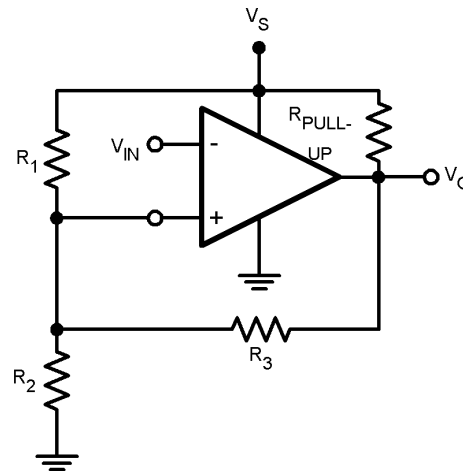


FIGURE 1. Inverting Comparator with Hysteresis

Ordering Information

Package	Part Number	Package Marking	Transport Media	NSC Drawing
5-Pin SOT-23	LM397MF	C397	1k Units Tape and Reel	MF05A
	LM397MFX		3k Units Tape and Reel	

Absolute Maximum Ratings (Note 1)

If Military/Aerospace specified devices are required, please contact the National Semiconductor Sales Office/Distributors for availability and specifications.

ESD Tolerance (Note 2)	
Human Body Model	2KV
Machine Model	200V
V _{IN} Differential	30V
Supply Voltages	30V or ±15V
Voltage at Input Pins	-0.3V to 30V
Storage Temperature Range	-65°C to +150°C

Junction Temperature (Note 3)	+150°C
Soldering Information	
Infrared or Convection (20 sec.)	235°C
Wave Soldering (10 sec.)	260°C

Operating Ratings (Note 1)

Supply Voltage, V _S	5V to 30V
Temperature Range (Note 3)	-40°C to +85°C
Package Thermal Resistance (Note 3)	
5-Pin SOT23	168°C/W

Electrical Characteristics

Unless otherwise specified, all limits are guaranteed for T_A = 25°C, V_S = 5V, V⁻ = 0V, V_{CM} = V⁺/2 = V_O. **Boldface** limits apply at the temperature extremes.

Symbol	Parameter	Conditions	Min (Note 5)	Typ (Note 4)	Max (Note 5)	Units
V _{OS}	Input Offset Voltage	V _S = 5V to 30V, V _O = 1.4V, V _{CM} = 0V		2	7 10	mV
I _{OS}	Input Offset Current	V _O = 1.4V, V _{CM} = 0V		1.6	50 250	nA
I _B	Input Bias Current	V _O = 1.4V, V _{CM} = 0V		10	250 400	nA
I _S	Supply Current	R _L = Open, V _S = 5V		0.25	0.7	mA
		R _L = Open, V _S = 30V		0.30	2	
I _O	Output Sink Current	V _{IN⁺} = 1V, V _{IN⁻} = 0V, V _O = 1.5V	6	13		mA
I _{LEAKAGE}	Output Leakage Current	V _{IN⁺} = 1V, V _{IN⁻} = 0V, V _O = 5V		0.1		nA
		V _{IN⁺} = 1V, V _{IN⁻} = 0V, V _O = 30V		1		μA
V _{OL}	Output Voltage Low	I _O = -4mA, V _{IN⁺} = 0V, V _{IN⁻} = 1V		180	400 700	mV
V _{CM}	Common-Mode Input Voltage Range	V _S = 5V to 30V (Note 6)	0 0		V _S - 1.5V V_S - 2V	V
A _V	Voltage Gain	V _S = 15V, V _O = 1.4V to 11.4V, R _L > = 15kΩ connected to V _S		120		V/mV
t _{PHL}	Propagation Delay (High to Low)	Input Overdrive = 5mV R _L = 5.1kΩ connected to 5V, C _L = 15pF		900		ns
		Input Overdrive = 50mV R _L = 5.1kΩ connected to 5V, C _L = 15pF		250		
t _{PLH}	Propagation Delay (Low to High)	Input Overdrive = 5mV R _L = 5.1kΩ connected to 5V, C _L = 15pF		940		μs
		Input Overdrive = 50mV R _L = 5.1kΩ connected to 5V, C _L = 15pF		440		ns

Note 1: Absolute Maximum Ratings indicate limits beyond which damage to the device may occur. Operating Ratings indicate conditions for which the device is intended to be functional, but specific performance is not guaranteed. For guaranteed specifications and the test conditions, see the Electrical Characteristics.

Note 2: Human Body Model, applicable std. MIL-STD-883, Method 3015.7. Machine Model, applicable std. JESD22-A115-A (ESD MM std. of JEDEC). Field-Induced Charge-Device Model, applicable std. JESD22-C101-C (ESD FICDM std. of JEDEC).

Note 3: The maximum power dissipation is a function of T_{J(MAX)}, θ_{JA}. The maximum allowable power dissipation at any ambient temperature is P_D = (T_{J(MAX)} - T_A) / θ_{JA}. All numbers apply for packages soldered directly onto a PC board.

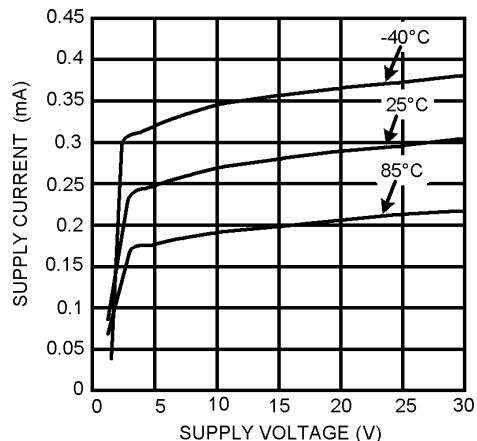
Note 4: Typical values represent the most likely parametric norm as determined at the time of characterization. Actual typical values may vary over time and will also depend on the application and configuration. The typical values are not tested and are not guaranteed on shipped production material.

Note 5: All limits are guaranteed by testing or statistical analysis.

Note 6: The input common-mode voltage of either input should not be permitted to go below the negative rail by more than 0.3V. The upper end of the common-mode voltage range is V_S - 1.5V at 25°C.

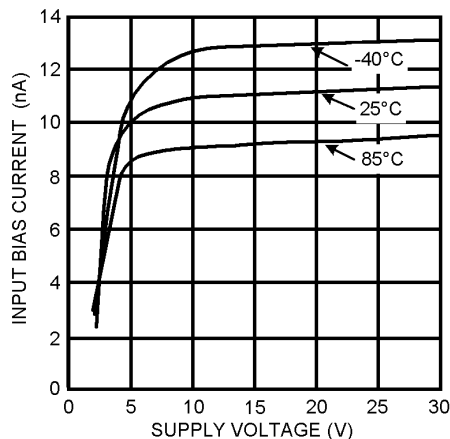
Typical Performance Characteristics $T_A = 25^\circ\text{C}$. Unless otherwise specified.

Supply Current vs. Supply Voltage



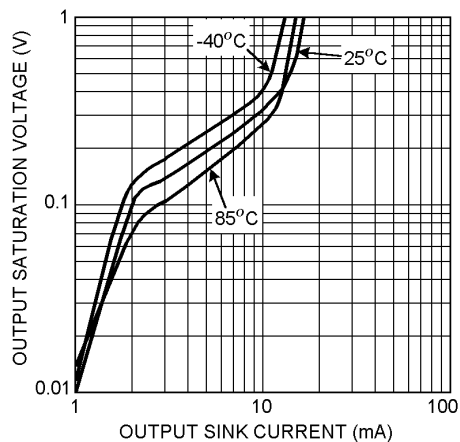
20022103

Input Bias Current vs. Supply Current



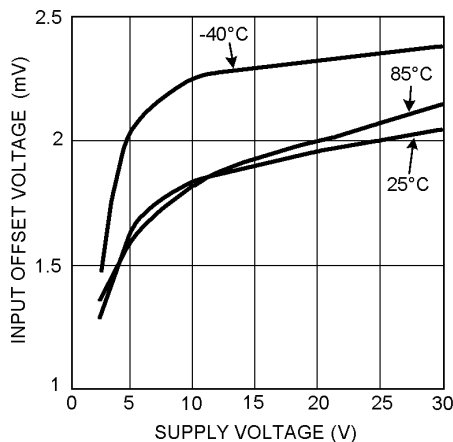
20022101

Output Saturation Voltage vs. Output Sink Current



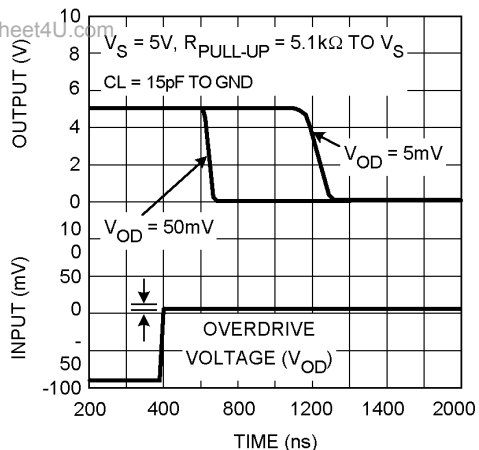
20022104

Input Offset Voltage vs. Supply Voltage



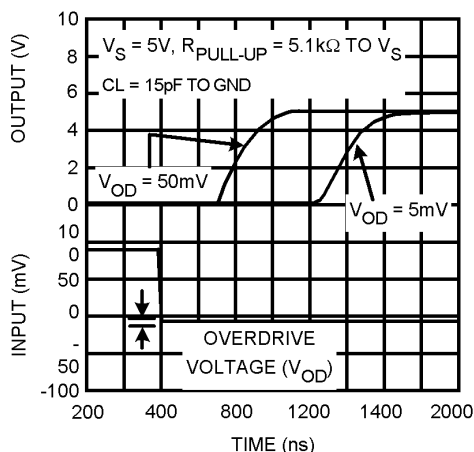
20022102

Response Time for Various Input Overdrives – t_{PHL}



20022105

Response Time for Various Input Overdrives – t_{PLH}



20022106

Application Notes

Basic Comparators

A comparator is quite often used to convert an analog signal to a digital signal. The comparator compares an input voltage (V_{IN}) at the non-inverting pin to the reference voltage (V_{REF}) at the inverting pin. If V_{IN} is less than V_{REF} the output (V_O) is low (V_{OL}). However, if V_{IN} is greater than V_{REF} , the output voltage (V_O) is high (V_{OH}). Refer to Figure 2.

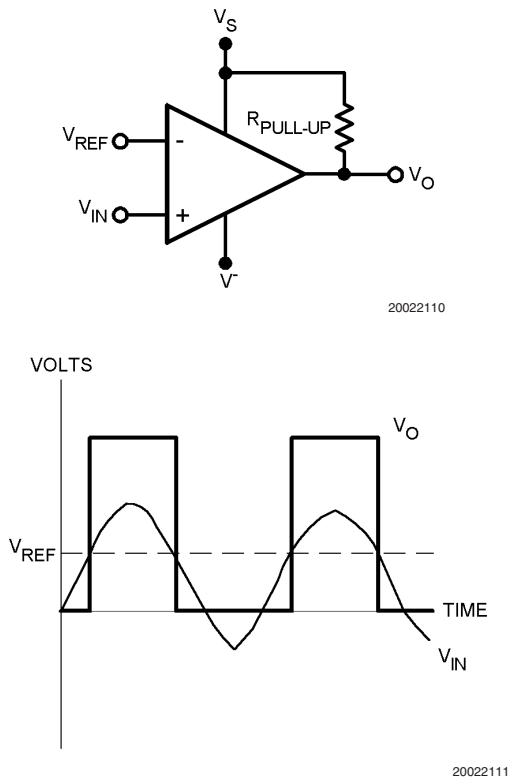


FIGURE 2. Basic Comparator

Hysteresis

The basic comparator configuration may oscillate or produce a noisy output if the applied differential input is near the comparator's input offset voltage. This tends to occur when the voltage on the input is equal or very close to the other input voltage. Adding hysteresis can prevent this problem. Hysteresis creates two switching thresholds (one for the rising input voltage and the other for the falling input voltage). Hysteresis is the voltage difference between the two switching thresholds. When both inputs are nearly equal, hysteresis causes one input to effectively move quickly past the other. Thus, effectively moving the input out of region that oscillation may occur.

For an inverting configured comparator, hysteresis can be added with a three resistor network and positive feedback.

When input voltage (V_{IN}) at the inverting node is less than non-inverting node (V_T), the output is high. The equivalent circuit for the three resistor network is R_1 in parallel with R_3 and in series with R_2 . The lower threshold voltage V_{T1} is calculated by:

$$V_{T1} = ((V_S R_2) / (((R_1 R_3) / (R_1 + R_3)) + R_2))$$

When V_{IN} is greater than V_T , the output voltage is low. The equivalent circuit for the three resistor network is R_2 in parallel with R_3 and in series with R_1 . The upper threshold voltage V_{T2} is calculated by:

$$V_{T2} = V_S ((R_2 R_3) / (R_2 + R_3)) / (R_1 + ((R_2 R_3) / (R_2 + R_3)))$$

The hysteresis is defined as

$$\Delta V_{IN} = V_{T1} - V_{T2}$$

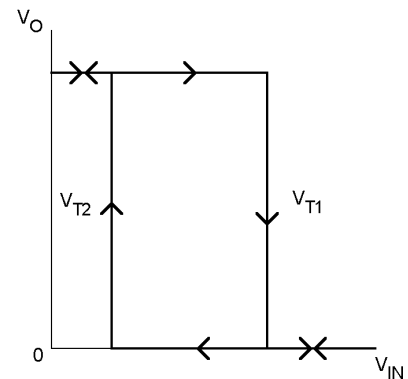
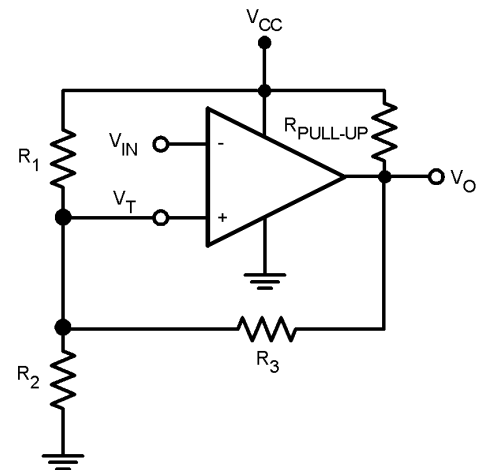


FIGURE 3. Inverting Configured Comparator – LM397

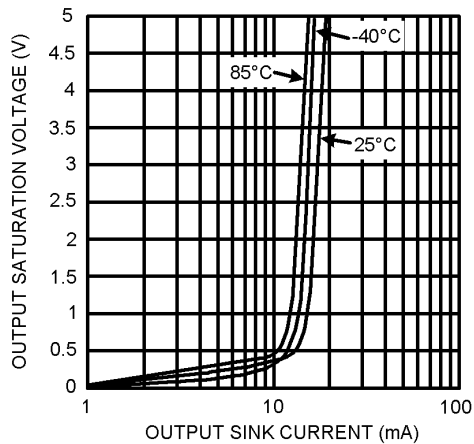
Application Notes (Continued)

Input Stage

The LM397 has a bipolar input stage. The input common mode voltage range is from 0 to $(V_S - 1.5V)$.

Output Stage

The LM397 has an open collector grounded-emitter NPN output transistor for the output stage. This requires an external pull-up resistor connected between the positive supply voltage and the output. The external pull-up resistor should be high enough resistance so to avoid excessive power dissipation. In addition, the pull-up resistor should be low enough resistance to enable the comparator to switch with the load circuitry connected. Because it is an open collector output stage, several comparator outputs can be connected together to create an OR'ing function output. With an open collector, the output can be used as a simple SPST switch to ground. The amount of current which the output can sink is approximately 10mA. When the maximum current limit is reached, the output transistor will saturate and the output will rise rapidly (Figure 4).



20022107

FIGURE 4. Output Saturation Voltage vs. Output Sink Current

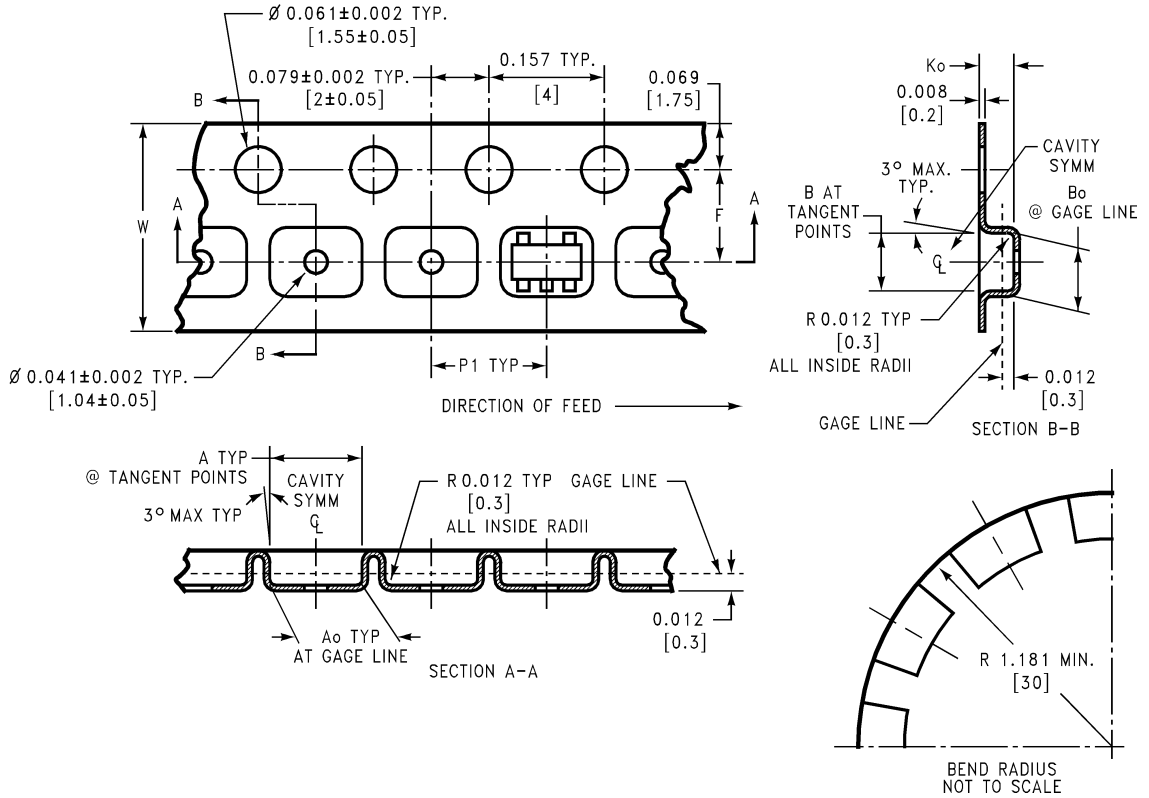
www.DataSheet4U.com

SOT23-5 Tape and Reel Specification

Tape Format

Tape Section	# Cavities	Cavity Status	Cover Tape Status
Leader (Start End)	0 (min)	Empty	Sealed
	75 (min)	Empty	Sealed
Carrier	3000	Filled	Sealed
	1000	Filled	Sealed
Trailer (Hub End)	125 (min)	Empty	Sealed
	0 (min)	Empty	Sealed

TAPE DIMENSIONS



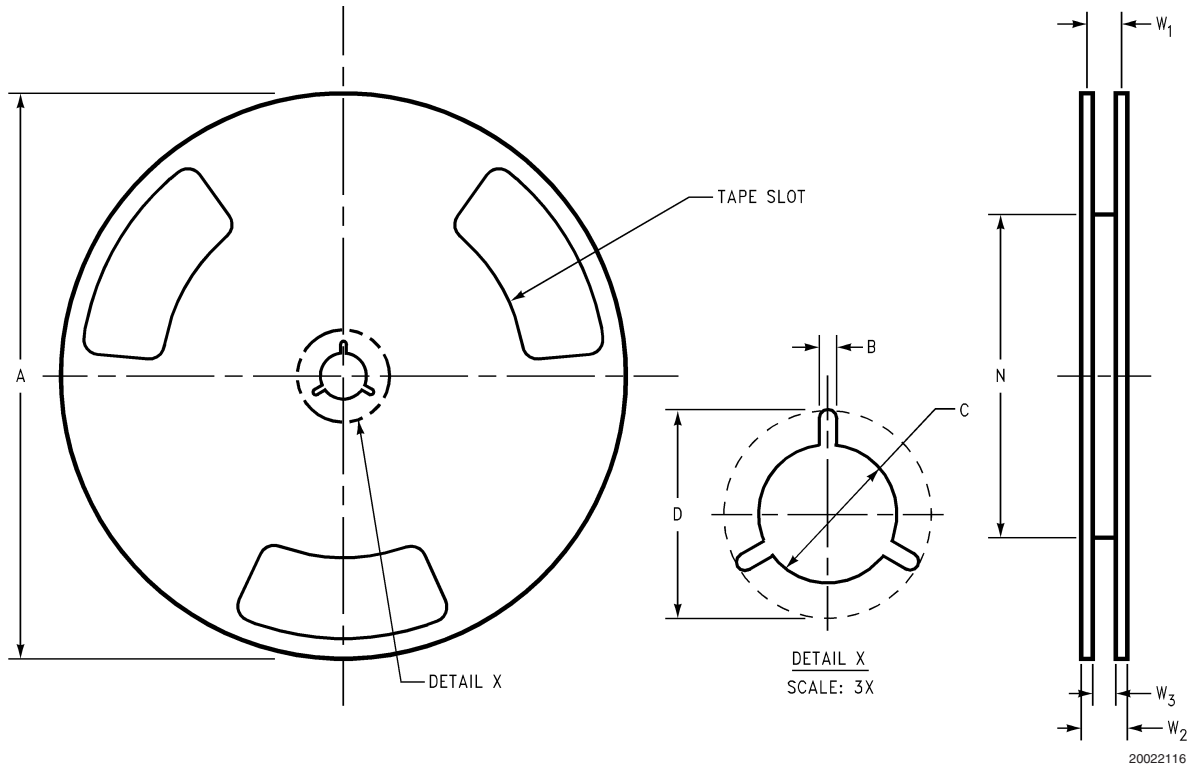
www.DataSheet4U.com

20022115

8mm	0.130 (3.3)	0.124 (3.15)	0.130 (3.3)	0.126 (3.2)	0.138 ± 0.002 (3.5 ± 0.05)	0.055 ± 0.004 (1.4 ± 0.11)	0.157 (4)	0.315 ± 0.012 (8 ± 0.3)
Tape Size	DIM A	DIM A ₀	DIM B	DIM B ₀	DIM F	DIM K ₀	DIM P1	DIM W

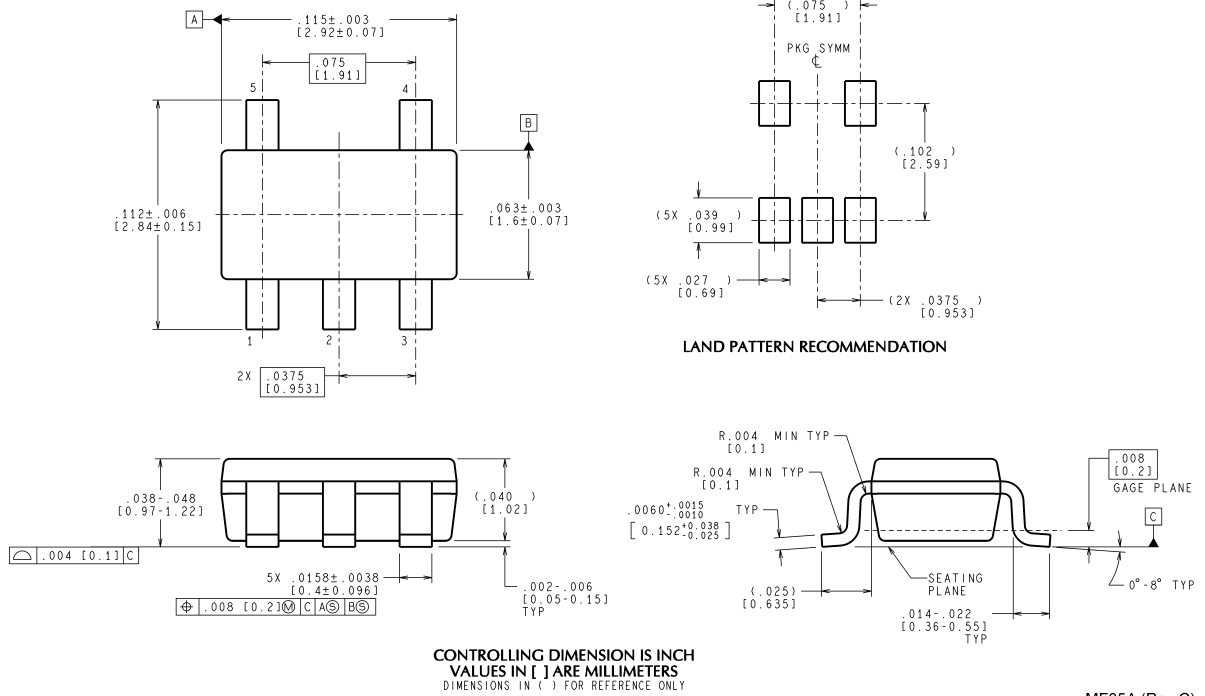
SOT23-5 Tape and Reel Specification (Continued)

REEL DIMENSIONS



8mm	7.00 330.00	0.059 1.50	0.512 13.00	0.795 20.20	2.165 55.00	0.331 + 0.059/-0.000 8.40 + 1.50/-0.00	0.567 14.40	W1 + 0.078/-0.039 W1 + 2.00/-1.00
Tape Size	A	B	C	D	N	W1	W2	W3

Physical Dimensions inches (millimeters) unless otherwise noted



**5-Pin SOT23
NS Package Number MF05A**

MF05A (Rev C)

National does not assume any responsibility for use of any circuitry described, no circuit patent licenses are implied and National reserves the right at any time without notice to change said circuitry and specifications.

For the most current product information visit us at www.national.com.

LIFE SUPPORT POLICY

NATIONAL'S PRODUCTS ARE NOT AUTHORIZED FOR USE AS CRITICAL COMPONENTS IN LIFE SUPPORT DEVICES OR SYSTEMS WITHOUT THE EXPRESS WRITTEN APPROVAL OF THE PRESIDENT AND GENERAL COUNSEL OF NATIONAL SEMICONDUCTOR CORPORATION. As used herein:

1. Life support devices or systems are devices or systems which, (a) are intended for surgical implant into the body, or (b) support or sustain life, and whose failure to perform when properly used in accordance with instructions for use provided in the labeling, can be reasonably expected to result in a significant injury to the user.
2. A critical component is any component of a life support device or system whose failure to perform can be reasonably expected to cause the failure of the life support device or system, or to affect its safety or effectiveness.

BANNED SUBSTANCE COMPLIANCE

National Semiconductor follows the provisions of the Product Stewardship Guide for Customers (CSP-9-111C2) and Banned Substances and Materials of Interest Specification (CSP-9-111S2) for regulatory environmental compliance. Details may be found at: www.national.com/quality/green.

Lead free products are RoHS compliant.



National Semiconductor
Americas Customer
Support Center
Email: new.feedback@nsc.com
Tel: 1-800-272-9959

National Semiconductor
Europe Customer Support Center
Fax: +49 (0) 180-530 85 86
Email: europe.support@nsc.com
Deutsch Tel: +49 (0) 69 9508 6208
English Tel: +44 (0) 870 24 0 2171
Français Tel: +33 (0) 1 41 91 8790

National Semiconductor
Asia Pacific Customer
Support Center
Email: ap.support@nsc.com

National Semiconductor
Japan Customer Support Center
Fax: 81-3-5639-7507
Email: jpn.feedback@nsc.com
Tel: 81-3-5639-7560