



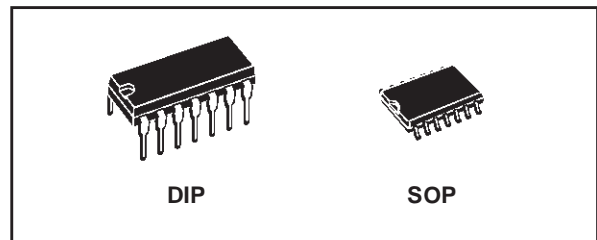
HCF4071B

QUAD 2 INPUT OR GATE

- MEDIUM SPEED OPERATION :
 $t_{PD} = 60\text{ns}$ (TYP.) at $V_{DD} = 10\text{V}$
- QUIESCENT CURRENT SPECIFIED UP TO 20V
- 5V, 10V AND 15V PARAMETRIC RATINGS
- INPUT LEAKAGE CURRENT
 $I_I = 100\text{nA}$ (MAX) AT $V_{DD} = 18\text{V}$ $T_A = 25^\circ\text{C}$
- 100% TESTED FOR QUIESCENT CURRENT
- MEETS ALL REQUIREMENTS OF JEDEC JESD13B "STANDARD SPECIFICATIONS FOR DESCRIPTION OF B SERIES CMOS DEVICES"

DESCRIPTION

The HCF4071B is a monolithic integrated circuit fabricated in Metal Oxide Semiconductor technology available in DIP and SOP packages. The HCF4071B QUAD 2 INPUT OR GATE provides the system designer with direct

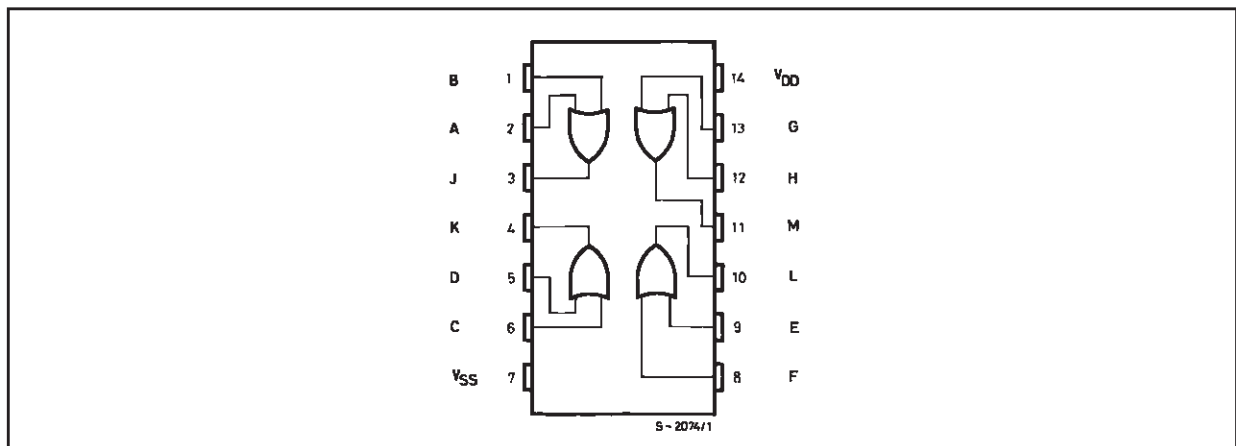


ORDER CODES

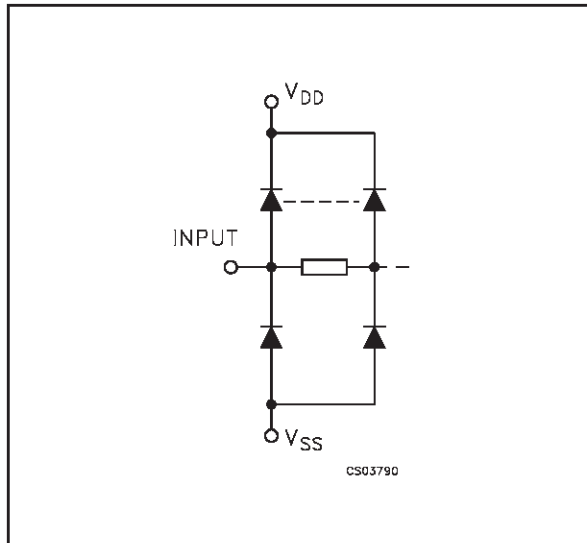
| PACKAGE | TUBE | T & R |
|---------|------------|---------------|
| DIP | HCF4071BEY | |
| SOP | HCF4071BM1 | HCF4071M013TR |

implementation of the positive logic OR function and supplement the existing family of CMOS gates.

PIN CONNECTION



INPUT EQUIVALENT CIRCUIT



PIN DESCRIPTION

| PIN No | SYMBOL | NAME AND FUNCTION |
|--------------|-----------------|-------------------------|
| 2, 6, 9, 12 | A, C, E, H | Data Inputs |
| 1, 5, 8, 13 | B, D, F, G | Data Inputs |
| 3, 4, 10, 11 | J, K, L, M | Data Outputs |
| 7 | V _{SS} | Negative Supply Voltage |
| 14 | V _{DD} | Positive Supply Voltage |

TRUTH TABLE

| INPUTS | | OUTPUTS |
|------------|------------|------------|
| A, C, E, H | B, D, F, G | J, K, L, M |
| L | L | L |
| L | H | H |
| H | L | H |
| H | H | H |

ABSOLUTE MAXIMUM RATINGS

| Symbol | Parameter | Value | Unit |
|------------------|---|-------------------------------|------|
| V _{DD} | Supply Voltage | -0.5 to +22 | V |
| V _I | DC Input Voltage | -0.5 to V _{DD} + 0.5 | V |
| I _I | DC Input Current | ± 10 | mA |
| P _D | Power Dissipation per Package | 200 | mW |
| | Power Dissipation per Output Transistor | 100 | mW |
| T _{op} | Operating Temperature | -55 to +125 | °C |
| T _{stg} | Storage Temperature | -65 to +150 | °C |

Absolute Maximum Ratings are those values beyond which damage to the device may occur. Functional operation under these conditions is not implied.
All voltage values are referred to V_{SS} pin voltage.

RECOMMENDED OPERATING CONDITIONS

| Symbol | Parameter | Value | Unit |
|-----------------|-----------------------|----------------------|------|
| V _{DD} | Supply Voltage | 3 to 20 | V |
| V _I | Input Voltage | 0 to V _{DD} | V |
| T _{op} | Operating Temperature | -55 to 125 | °C |

DC SPECIFICATIONS

| Symbol | Parameter | Test Condition | | | | Value | | | | | | Unit | |
|-----------------|---------------------------|-----------------------|-----------------------|--------------------------------|------------------------|-----------------------|---------------|-----------|-------------|---------|--------------|---------|---------|
| | | V _I (V) | V _O (V) | I _o (μ A) | V _{DD} (V) | T _A = 25°C | | | -40 to 85°C | | -55 to 125°C | | |
| | | | | | | Min. | Typ. | Max. | Min. | Max. | Min. | | Max. |
| I _L | Quiescent Current | 0/5 | | | 5 | | 0.01 | 0.25 | | 7.5 | | 7.5 | μ A |
| | | 0/10 | | | 10 | | 0.01 | 0.5 | | 15 | | 15 | |
| | | 0/15 | | | 15 | | 0.01 | 1 | | 30 | | 30 | |
| | | 0/20 | | | 20 | | 0.02 | 5 | | 150 | | 150 | |
| V _{OH} | High Level Output Voltage | 0/5 | | <1 | 5 | 4.95 | | | 4.95 | | 4.95 | | V |
| | | 0/10 | | <1 | 10 | 9.95 | | | 9.95 | | 9.95 | | |
| | | 0/15 | | <1 | 15 | 14.95 | | | 14.95 | | 14.95 | | |
| V _{OL} | Low Level Output Voltage | 5/0 | | <1 | 5 | | 0.05 | | | 0.05 | | 0.05 | V |
| | | 10/0 | | <1 | 10 | | 0.05 | | | 0.05 | | 0.05 | |
| | | 15/0 | | <1 | 15 | | 0.05 | | | 0.05 | | 0.05 | |
| V _{IH} | High Level Input Voltage | | 0.5/4.5 | <1 | 5 | 3.5 | | | 3.5 | | 3.5 | | V |
| | | | 1/9 | <1 | 10 | 7 | | | 7 | | 7 | | |
| | | | 1.5/13.5 | <1 | 15 | 11 | | | 11 | | 11 | | |
| V _{IL} | Low Level Input Voltage | | 4.5/0.5 | <1 | 5 | | | 1.5 | | 1.5 | | 1.5 | V |
| | | | 9/1 | <1 | 10 | | | 3 | | 3 | | 3 | |
| | | | 13.5/1.5 | <1 | 15 | | | 4 | | 4 | | 4 | |
| I _{OH} | Output Drive Current | 0/5 | 2.5 | <1 | 5 | -1.36 | -3.2 | | -1.15 | | -1.1 | | mA |
| | | 0/5 | 4.6 | <1 | 5 | -0.44 | -1 | | -0.36 | | -0.36 | | |
| | | 0/10 | 9.5 | <1 | 10 | -1.1 | -2.6 | | -0.9 | | -0.9 | | |
| | | 0/15 | 13.5 | <1 | 15 | -3.0 | -6.8 | | -2.4 | | -2.4 | | |
| I _{OL} | Output Sink Current | 0/5 | 0.4 | <1 | 5 | 0.44 | 1 | | 0.36 | | 0.36 | | mA |
| | | 0/10 | 0.5 | <1 | 10 | 1.1 | 2.6 | | 0.9 | | 0.9 | | |
| | | 0/15 | 1.5 | <1 | 15 | 3.0 | 6.8 | | 2.4 | | 2.4 | | |
| I _I | Input Leakage Current | 0/18 | Any Input | | 18 | | $\pm 10^{-5}$ | ± 0.1 | | ± 1 | | ± 1 | μ A |
| C _I | Input Capacitance | | Any Input | | | | 5 | 7.5 | | | | | pF |

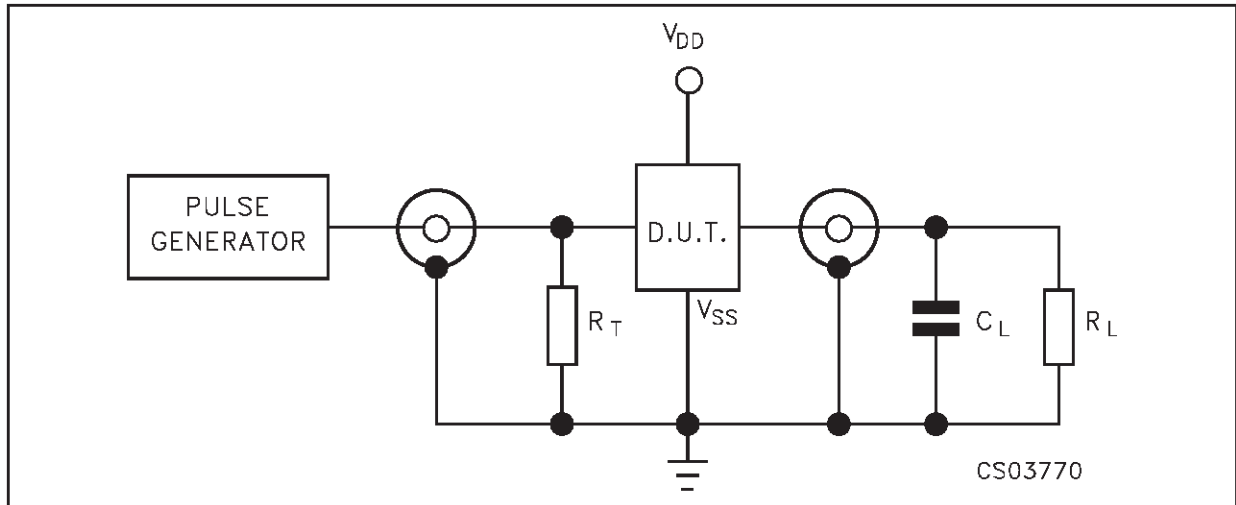
The Noise Margin for both "1" and "0" level is: 1V min. with V_{DD}=5V, 2V min. with V_{DD}=10V, 2.5V min. with V_{DD}=15V

DYNAMIC ELECTRICAL CHARACTERISTICS (T_{amb} = 25°C, C_L = 50pF, R_L = 200K Ω , t_r = t_f = 20 ns)

| Symbol | Parameter | Test Condition | | Value (*) | | | Unit |
|-----------------------------------|------------------------|---------------------|--|-----------|------|------|------|
| | | V _{DD} (V) | | Min. | Typ. | Max. | |
| t _{PHL} | Propagation Delay Time | 5 | | | 125 | 250 | ns |
| | | 10 | | | 60 | 120 | |
| | | 15 | | | 45 | 90 | |
| t _{PLH} | Propagation Delay Time | 5 | | | 175 | 350 | ns |
| | | 10 | | | 50 | 140 | |
| | | 15 | | | 50 | 140 | |
| t _{TLH} t _{THL} | Output Transition Time | 5 | | | 100 | 200 | ns |
| | | 10 | | | 50 | 100 | |
| | | 15 | | | 40 | 80 | |

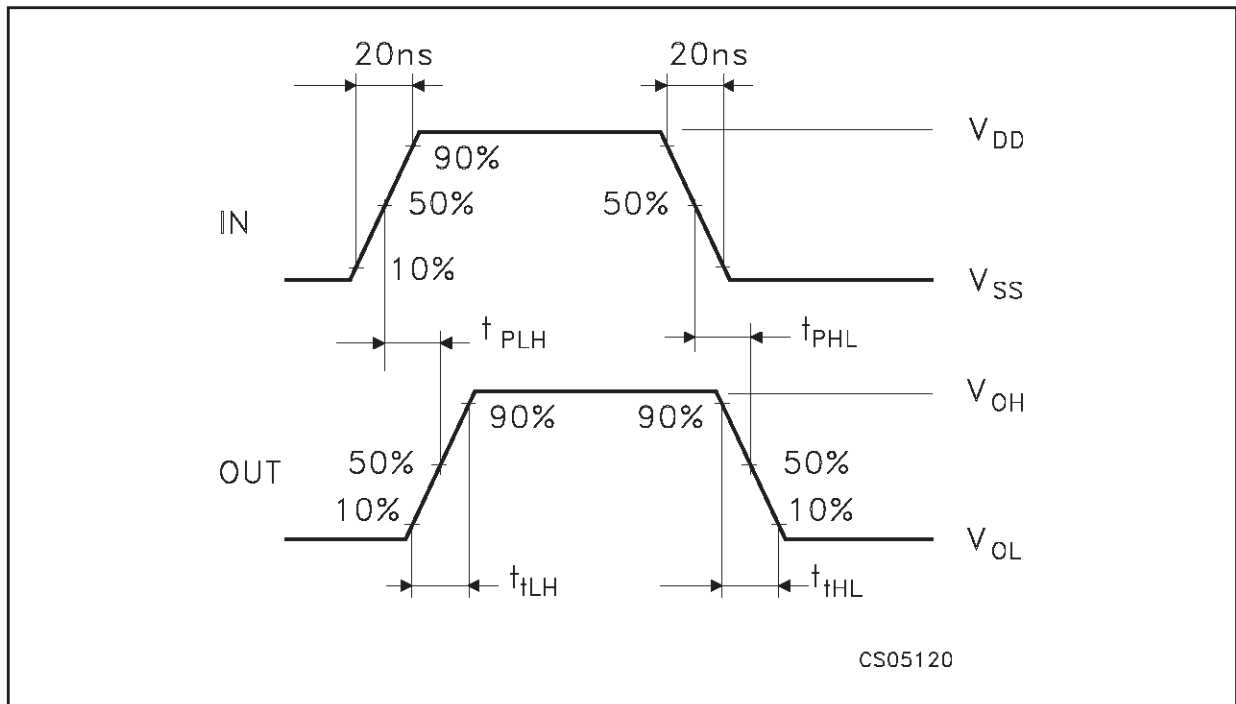
(*) Typical temperature coefficient for all V_{DD} value is 0.3 %/°C.

TEST CIRCUIT



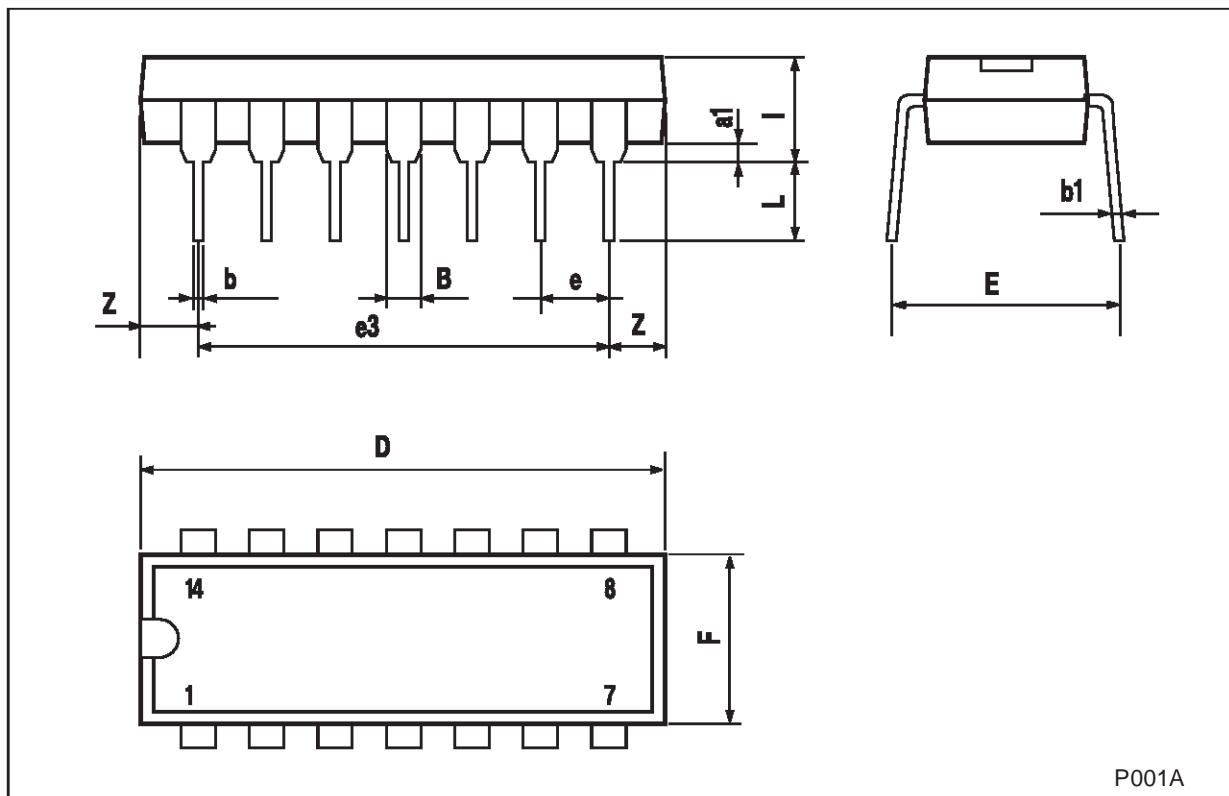
$C_L = 50\text{pF}$ or equivalent (includes jig and probe capacitance)
 $R_L = 200\text{K}\Omega$
 $R_T = Z_{\text{OUT}}$ of pulse generator (typically 50Ω)

WAVEFORM : PROPAGATION DELAY TIMES ($f=1\text{MHz}$; 50% duty cycle)



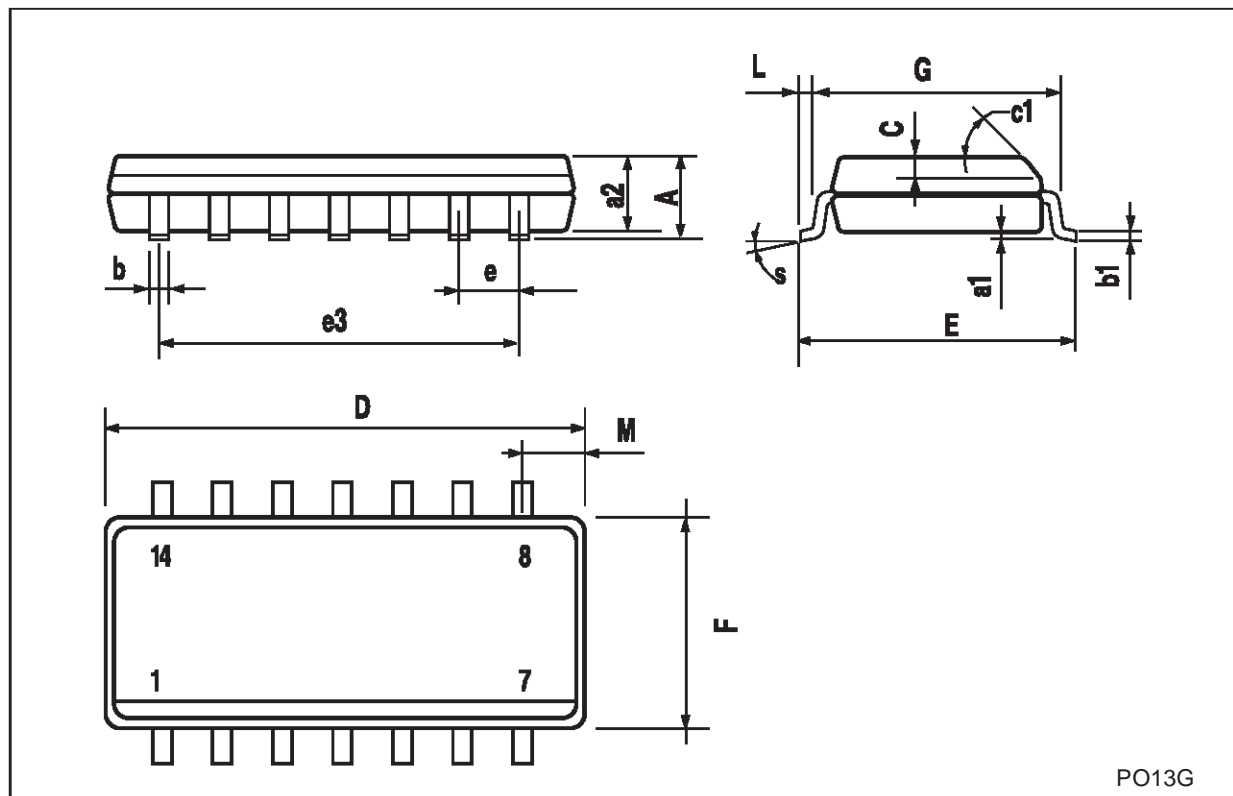
| | | | | | | |
|---------------------------------------|--|--|--|--|--|--|
| Plastic DIP-14 MECHANICAL DATA | | | | | | |
|---------------------------------------|--|--|--|--|--|--|

| DIM. | mm. | | | inch | | |
|------|------|-------|------|-------|-------|-------|
| | MIN. | TYP | MAX. | MIN. | TYP. | MAX. |
| a1 | 0.51 | | | 0.020 | | |
| B | 1.39 | | 1.65 | 0.055 | | 0.065 |
| b | | 0.5 | | | 0.020 | |
| b1 | | 0.25 | | | 0.010 | |
| D | | | 20 | | | 0.787 |
| E | | 8.5 | | | 0.335 | |
| e | | 2.54 | | | 0.100 | |
| e3 | | 15.24 | | | 0.600 | |
| F | | | 7.1 | | | 0.280 |
| I | | | 5.1 | | | 0.201 |
| L | | 3.3 | | | 0.130 | |
| Z | 1.27 | | 2.54 | 0.050 | | 0.100 |



SO-14 MECHANICAL DATA

| DIM. | mm. | | | inch | | |
|------|------------|------|------|-------|-------|-------|
| | MIN. | TYP. | MAX. | MIN. | TYP. | MAX. |
| A | | | 1.75 | | | 0.068 |
| a1 | 0.1 | | 0.2 | 0.003 | | 0.007 |
| a2 | | | 1.65 | | | 0.064 |
| b | 0.35 | | 0.46 | 0.013 | | 0.018 |
| b1 | 0.19 | | 0.25 | 0.007 | | 0.010 |
| C | | 0.5 | | | 0.019 | |
| c1 | 45° (typ.) | | | | | |
| D | 8.55 | | 8.75 | 0.336 | | 0.344 |
| E | 5.8 | | 6.2 | 0.228 | | 0.244 |
| e | | 1.27 | | | 0.050 | |
| e3 | | 7.62 | | | 0.300 | |
| F | 3.8 | | 4.0 | 0.149 | | 0.157 |
| G | 4.6 | | 5.3 | 0.181 | | 0.208 |
| L | 0.5 | | 1.27 | 0.019 | | 0.050 |
| M | | | 0.68 | | | 0.026 |
| S | 8° (max.) | | | | | |



PO13G

Information furnished is believed to be accurate and reliable. However, STMicroelectronics assumes no responsibility for the consequences of use of such information nor for any infringement of patents or other rights of third parties which may result from its use. No license is granted by implication or otherwise under any patent or patent rights of STMicroelectronics. Specifications mentioned in this publication are subject to change without notice. This publication supersedes and replaces all information previously supplied. STMicroelectronics products are not authorized for use as critical components in life support devices or systems without express written approval of STMicroelectronics.

© The ST logo is a registered trademark of STMicroelectronics

© 2001 STMicroelectronics - Printed in Italy - All Rights Reserved
STMicroelectronics GROUP OF COMPANIES

Australia - Brazil - China - Finland - France - Germany - Hong Kong - India - Italy - Japan - Malaysia - Malta - Morocco
Singapore - Spain - Sweden - Switzerland - United Kingdom

© <http://www.st.com>

