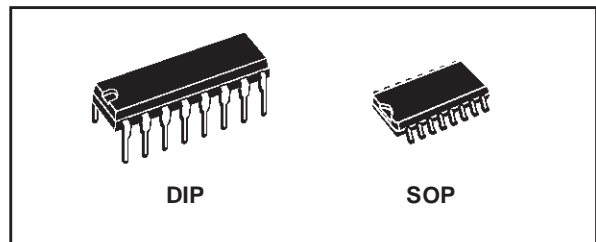




HCF4056B

BCD TO 7 SEGMENT LIQUID CRYSTAL DISPLAY DECODER/DRIVER WITH STROBED LATCH FUNCTION

- QUIESCENT CURRENT SPECIF. UP TO 20V
- OPERATION OF LIQUID CRYSTALS WITH CMOS CIRCUITS PROVIDES ULTRA LOW POWER DISPLAYS.
- EQUIVALENT AC OUTPUT DRIVE FOR LIQUID CRYSTAL DISPLAYS - NO EXTERNAL CAPACITOR REQUIRED.
- VOLTAGE DOUBLING ACROSS DISPLAY [($V_{DD} - V_{EE}$) = 18V] RESULTS IN EFFECTIVE 36V (p-p) DRIVE ACROSS SELECTED DISPLAY SEGMENTS.
- LOW OR HIGH OUTPUT LEVEL DC DRIVE FOR OTHER TYPES OF DISPLAYS
- ONE CHIP LOGIC LEVEL CONVERSION FOR DIFFERENT INPUT AND OUTPUT LEVEL SWINGS
- FULL DECODING OF ALL INPUT COMBINATIONS : "0 - 9, L, H, P, A" AND BLANK POSITIONS
- INPUT LEAKAGE CURRENT
 $I_l = 100\text{nA}$ (MAX) AT $V_{DD} = 18\text{V}$ $T_A = 25^\circ\text{C}$
- 100% TESTED FOR QUIESCENT CURRENT
- MEETS ALL REQUIREMENTS OF JEDEC JESD13B "STANDARD SPECIFICATIONS FOR DESCRIPTION OF B SERIES CMOS DEVICES"



ORDER CODES

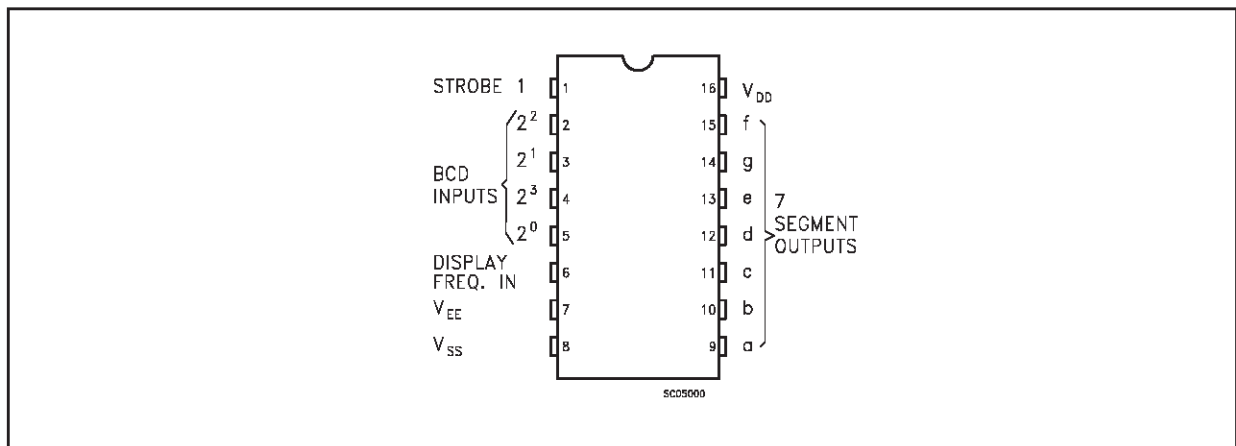
PACKAGE	TUBE	T & R
DIP	HCF4056BEY	
SOP	HCF4056BM1	HCF4056M013TR

The HCF4056B is a single digit BCD to 7 segment decoder driver circuit that provides level shifting function on the chip. This feature permits the BCD input-signals swings (V_{DD} to V_{SS}) to be the same as or different from the 7-segment output signal swings (V_{DD} to V_{EE}). For example, the BCD input-signal swings (V_{DD} to V_{SS}) may be as low as 0 to -3V, whereas the output-display drive signal swing (V_{DD} to V_{EE}) may be from 0 to -5V. If V_{DD} to V_{EE} exceeds 15V, V_{DD} to V_{SS} should be at least 4V. The 7 segment outputs are controlled by the DISPLAY-FREQUENCY (DF) input which causes the selected segment outputs to be low, high, or a square wave output (for liquid crystal displays).

DESCRIPTION

The HCF4056B is a monolithic integrated circuit fabricated in Metal Oxide Semiconductor technology available in DIP and SOP packages.

PIN CONNECTION

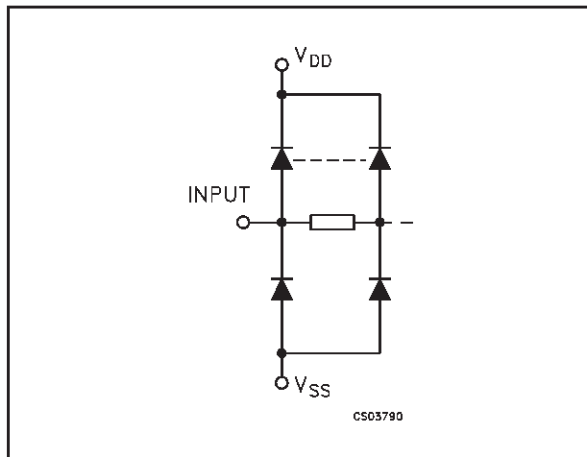


HCF4056B

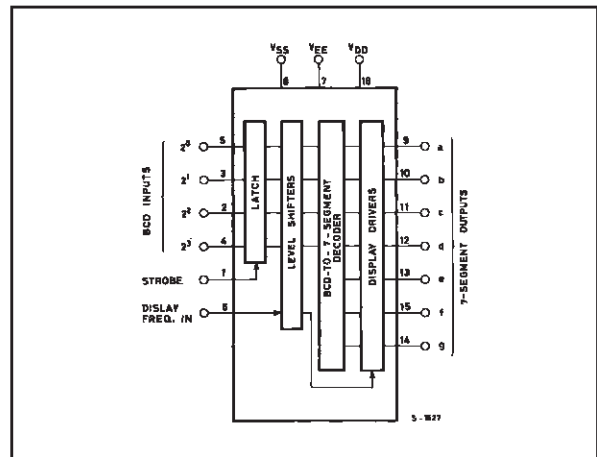
When the DF input is low, the output segments will be high when selected by the BCD inputs. When the DF input is high, the output segments will be low when selected by the BCD inputs. When a square wave is present at the DF input, the selected segments will have a square wave output that is 180° out of phase with the DF input. Those segments which are not selected will have a square wave output that is in phase with the input. DF square wave repetition rates for liquid crystal displays usually range from 30Hz (well above flicker rate) to 200Hz (well below the upper limit of the liquid crystal frequency response). The HCF4056B provides a strobed latch function at the BCD inputs. Decoding of all input combinations in this device provides displays of 0

to 9 as well as L, P, H, A, -, and a blank position. The level shifted function permits the use of different input and output signal swings. The input swings from a low level of V_{SS} to a high level of V_{DD} while the outputs swing from a low level of V_{EE} to the same high level of V_{DD} . Thus, the input and output swings can be selected independently of each other over a 3 to 18V range. V_{SS} may be connected to V_{EE} when no level-shift function is required. Data is transferred from input to output by placing a high voltage level at the strobe input. A low voltage level at the strobe input latches the data input and the corresponding output segments remain selected (or non selected) while the strobe is low. Whenever the level shifting is required the HCF4056B must be used together with a HCF4054B to provide the common DF output.

INPUT EQUIVALENT CIRCUIT



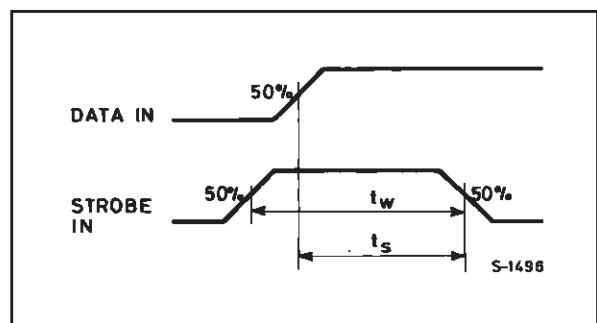
FUNCTIONAL DIAGRAM



PIN DESCRIPTION

PIN No	SYMBOL	NAME AND FUNCTION
5, 3, 2, 4	$2^0, 2^1, 2^2, 2^3$	BCD Inputs
9, 10, 11, 12, 13, 15, 14	a to g	7 - Segments Outputs
6	DISPLAY FREQ. IN	Display Frequency Input
1	STROBE	Strobe Input
7	V_{EE}	Negative Supply Voltage
8	V_{SS}	Negative Supply Voltage
16	V_{DD}	Positive Supply Voltage

DATA SETUP TIME AND STROBE PULSE DURATION



TRUTH TABLE

INPUT CODE				OUTPUT STATE							DISPLAY CHARACTER
2 ³	2 ²	2 ¹	2 ⁰	a	b	c	d	e	f	g	
L	L	L	L	H	H	H	H	H	H	L	0
L	L	L	H	L	H	H	L	L	L	L	1
L	L	H	L	H	H	L	H	H	L	H	2
L	L	H	H	H	H	H	H	L	L	H	3
L	H	L	L	L	H	H	L	L	H	H	4
L	H	L	H	H	L	H	H	L	H	H	5
L	H	H	L	H	L	H	H	H	H	H	6
L	H	H	H	H	H	H	L	L	L	L	7
H	L	L	L	H	H	H	H	H	H	H	8
H	L	L	H	H	H	H	H	L	H	H	9
H	L	H	L	L	L	L	H	H	H	L	L
H	L	H	H	L	H	H	L	H	H	H	H
H	H	L	L	H	H	L	L	H	H	H	P
H	H	L	H	H	H	H	L	H	H	H	A
H	H	H	L	L	L	L	L	L	L	H	-
H	H	H	H	L	L	L	L	L	L	L	BLANK

ABSOLUTE MAXIMUM RATINGS

Symbol	Parameter	Value	Unit
V _{DD}	Supply Voltage	-0.5 to +22	V
V _I	DC Input Voltage	-0.5 to V _{DD} + 0.5	V
I _I	DC Input Current	± 10	mA
P _D	Power Dissipation per Package	200	mW
	Power Dissipation per Output Transistor	100	mW
T _{op}	Operating Temperature	-55 to +125	°C
T _{stg}	Storage Temperature	-65 to +150	°C

Absolute Maximum Ratings are those values beyond which damage to the device may occur. Functional operation under these conditions is not implied.

All voltage values are referred to V_{SS} pin voltage.

RECOMMENDED OPERATING CONDITIONS

Symbol	Parameter	Value	Unit
V _{DD}	Supply Voltage	3 to 20	V
V _I	Input Voltage	0 to V _{DD}	V
T _{op}	Operating Temperature	-55 to 125	°C

DC SPECIFICATIONS

Symbol	Parameter	Test Condition					Value						Unit	
		V _{EE} (V)	V _I (V)	V _O (V)	V _{SS} (V)	V _{DD} (V)	T _A = 25°C			-40 to 85°C		-55 to 125°C		
							Min.	Typ.	Max.	Min.	Max.	Min.		Max.
I _L	Quiescent Current	-5	0/5		0	5		0.04	5		150		150	μA
		0	0/10		0	10		0.04	10		300		300	
		0	0/15		0	15		0.04	20		600		600	
		0	0/20		0	20		0.08	100		3000		3000	
V _{OH}	High Level Output Voltage	0	0/5		0	5	4.95			4.95		4.95	V	
		0	0/10		0	10	9.95			9.95		9.95		
		0	0/15		0	15	14.95			14.95		14.95		
V _{OL}	Low Level Output Voltage	0	5/0		0	5		0.05			0.05		0.05	V
		0	10/0		0	10		0.05			0.05		0.05	
		0	15/0		0	15		0.05			0.05		0.05	
V _{IH}	High Level Input Voltage	-5		0.5/4.5	0	5	3.5			3.5		3.5	V	
		0		1/9	0	10	7			7		7		
		0		1.5/18.5	0	15	11			11		11		
V _{IL}	Low Level Input Voltage	5		0.5/4.5	0	5			1.5		1.5		1.5	V
		0		9/1	0	10			3		3		3	
		0		1.5/18.5	0	15			4		4		4	
I _{OH}	Output Drive Current	-5	0/5	4.5	0	5	-0.38	-0.9		-0.28		-0.28	mA	
		0	0/10	9.5	0	10	-0.38	-0.9		-0.28		-0.28		
		0	0/15	13.5	0	15	-1.27	-3		-0.95		-0.95		
I _{OL}	Output Sink Current	-5	0/5	0.4	0	5	1.1	2.6		0.82		0.82	mA	
		0	0/10	0.5	0	10	1.1	2.6		0.82		0.82		
		0	0/15	1.5	0	15	2.9	6.8		2.17		2.17		
I _I	Input Leakage Current (any input)	0	0/18		0	18		±10 ⁻⁵	±0.1		±1		±1	μA
C _I	Input Capacitance (any input)							5	7.5					pF

The Noise Margin for both "1" and "0" level is: 1V min. with V_{DD}=5V, 2V min. with V_{DD}=10V, 2.5V min. with V_{DD}=15V

DYNAMIC ELECTRICAL CHARACTERISTICS (T_{amb} = 25°C, C_L = 50pF, R_L = 200KΩ, t_r = t_f = 20 ns)

Symbol	Parameter	Test Condition				Value (*)			Unit
		V _{EE} (V)	V _{SS} (V)	V _{DD} (V)		Min.	Typ.	Max.	
t _{PHL} t _{PLH}	Propagation Delay Time (any Input to any Output)	-5	0	5			650	1300	ns
		0	0	10			575	1150	
		0	0	15			375	750	
t _{THL} t _{TLH}	Transition Time (any Output)	-5	0	5			100	200	ns
		0	0	10			100	200	
		0	0	15			75	150	
t _{setup}	Data Setup Time	-5	0	5			220	110	ns
		0	0	10			100	50	
		0	0	15			70	35	
t _w	Strobe Pulse Width	-5	0	5			220	110	ns
		0	0	10			100	50	
		0	0	15			70	35	

(*) Typical temperature coefficient for all V_{DD} value is 0.3 %/°C.

TYPICAL APPLICATIONS

FIG. 9 : Display Driver Circuit For One Segment Line And Waveforms.

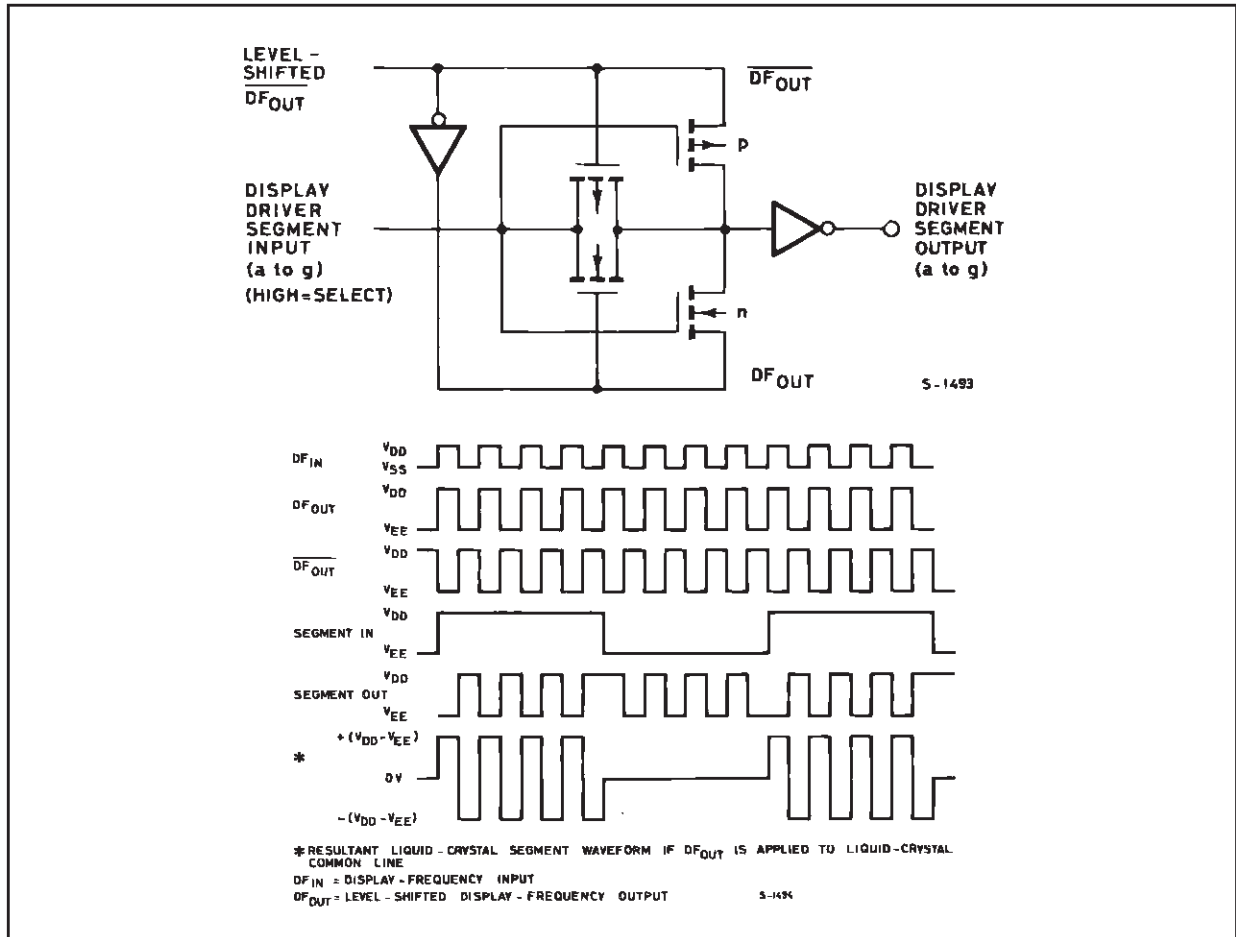


FIG. 10 : Conversion Of "H" Display To "F" Display.

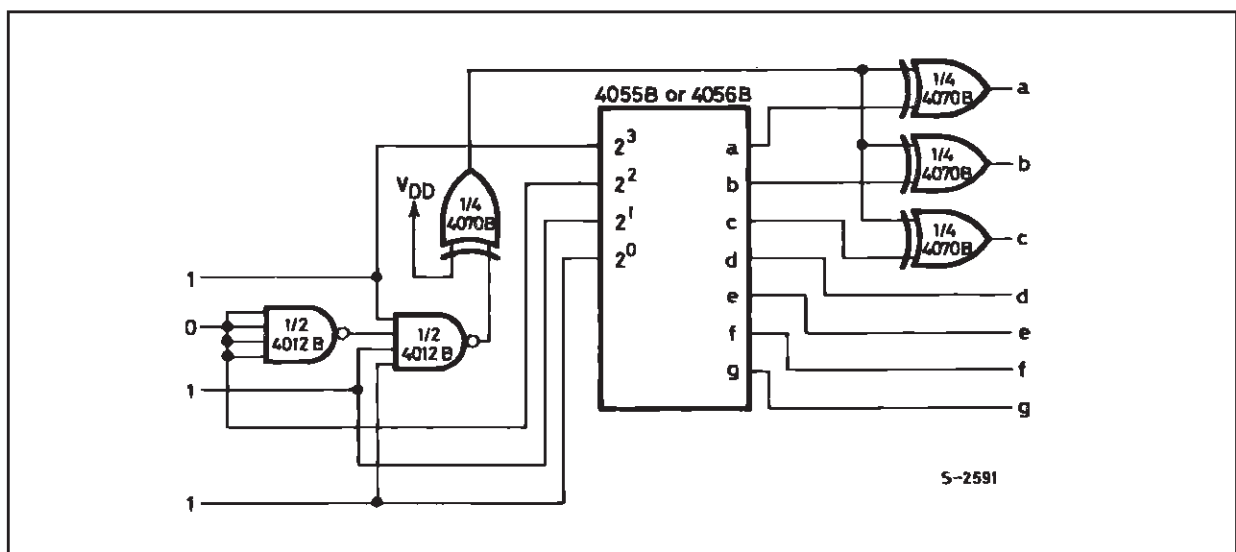
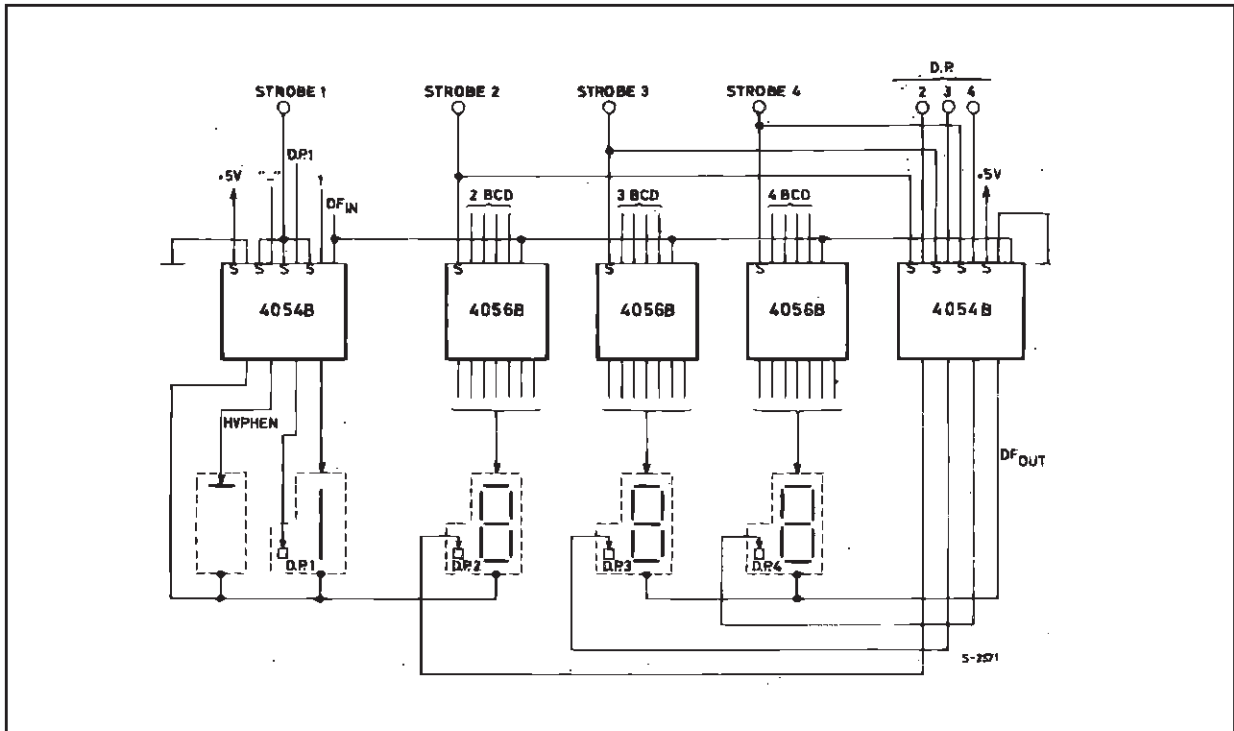


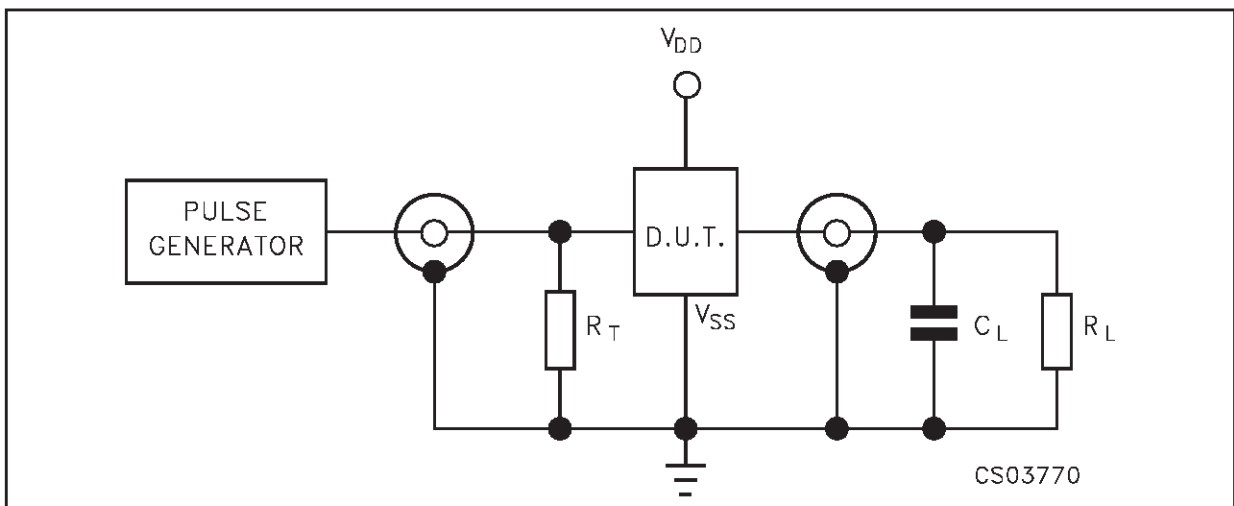
FIG. 11 : Typical 3 1/2 Digit Crystal Display : ($V_{DD} = +5V$, $V_{SS} = 0V$, $V_{EE} = -10V$, $DF_N = 30Hz$ Square)



In addition to the letters L, H, P, and A, five other letters can be displayed through the use of simple logic circuits preceding and following the HCF4056B devices. Fig. 10 is an example of a circuit that converts an "H" display, (code 1011) to an "F" display. One condition that must be met is that $V_{EE} = V_{SS}$. If $V_{EE} \neq V_{SS}$, the HCF4054B must be used to level shift in the appropriate

places. In a similar manner the letters C, E, J, and U can be displayed. These circuits can also be used to drive LED displays provided the exclusive OR gates have sufficient output current drive. The letters B, D, G, I, O, and S may be represented by the codes for numbers 8, 0, 6, 1, 0, and 5, respectively, when there is preknowledge that only letters are to be displayed.

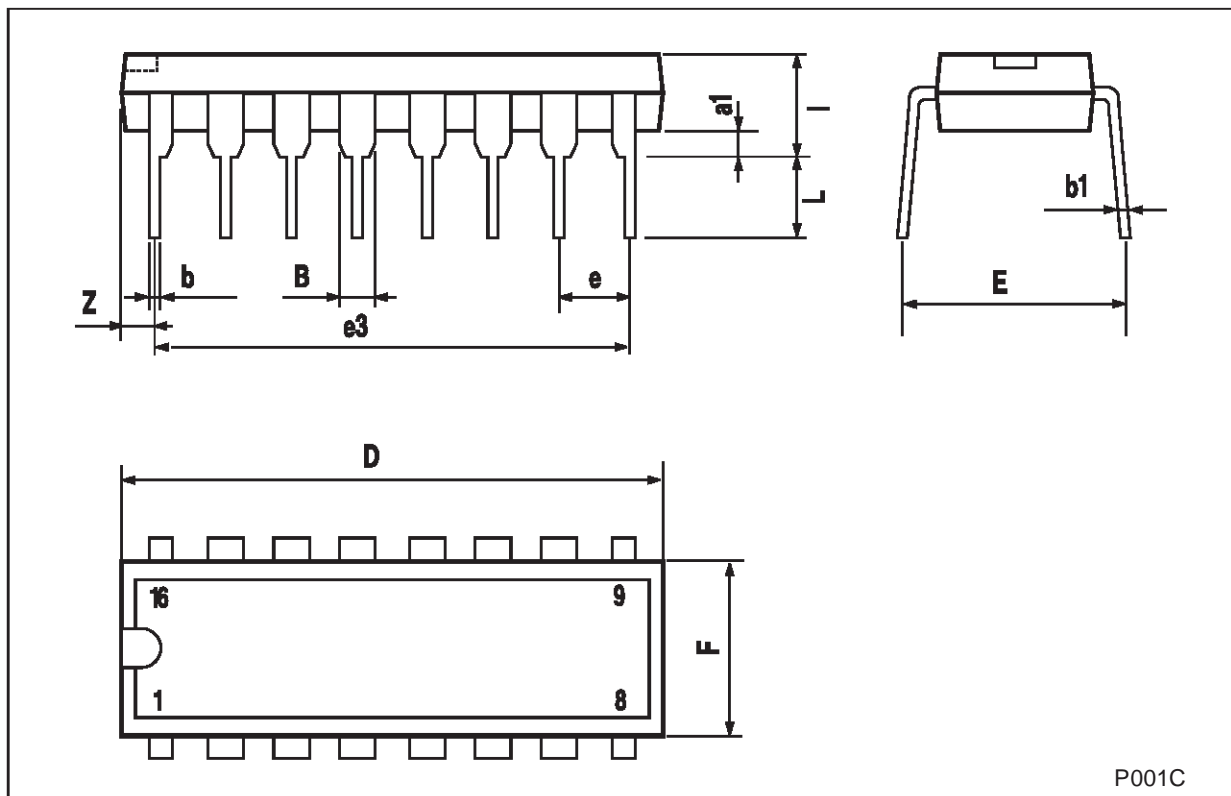
TEST CIRCUIT



$C_L = 50pF$ or equivalent (includes jig and probe capacitance)
 $R_L = 200K\Omega$
 $R_T = Z_{OUT}$ of pulse generator (typically 50Ω)

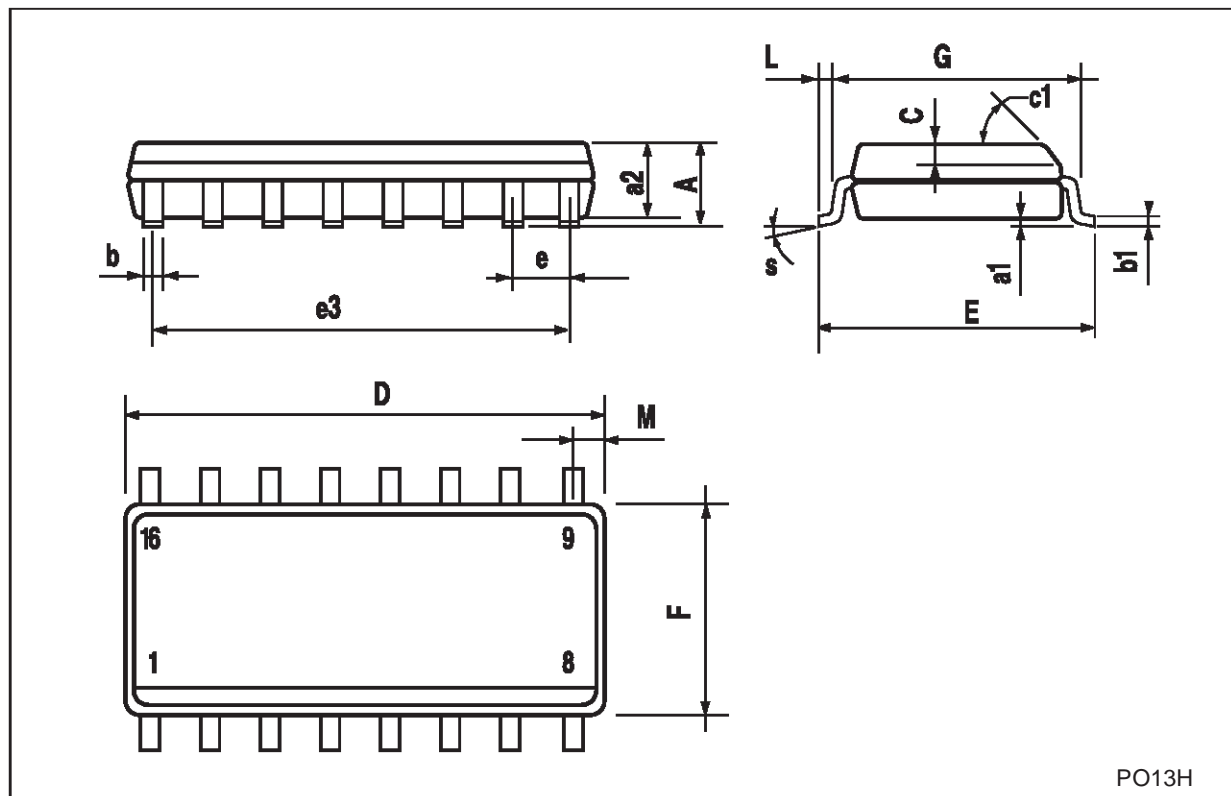
Plastic DIP-16 (0.25) MECHANICAL DATA

DIM.	mm.			inch		
	MIN.	TYP	MAX.	MIN.	TYP.	MAX.
a1	0.51			0.020		
B	0.77		1.65	0.030		0.065
b		0.5			0.020	
b1		0.25			0.010	
D			20			0.787
E		8.5			0.335	
e		2.54			0.100	
e3		17.78			0.700	
F			7.1			0.280
I			5.1			0.201
L		3.3			0.130	
Z			1.27			0.050



SO-16 MECHANICAL DATA

DIM.	mm.			inch		
	MIN.	TYP.	MAX.	MIN.	TYP.	MAX.
A			1.75			0.068
a1	0.1		0.2	0.003		0.007
a2			1.65			0.064
b	0.35		0.46	0.013		0.018
b1	0.19		0.25	0.007		0.010
C		0.5			0.019	
c1	45° (typ.)					
D	9.8		10	0.385		0.393
E	5.8		6.2	0.228		0.244
e		1.27			0.050	
e3		8.89			0.350	
F	3.8		4.0	0.149		0.157
G	4.6		5.3	0.181		0.208
L	0.5		1.27	0.019		0.050
M			0.62			0.024
S	8° (max.)					



PO13H

Information furnished is believed to be accurate and reliable. However, STMicroelectronics assumes no responsibility for the consequences of use of such information nor for any infringement of patents or other rights of third parties which may result from its use. No license is granted by implication or otherwise under any patent or patent rights of STMicroelectronics. Specifications mentioned in this publication are subject to change without notice. This publication supersedes and replaces all information previously supplied. STMicroelectronics products are not authorized for use as critical components in life support devices or systems without express written approval of STMicroelectronics.

© The ST logo is a registered trademark of STMicroelectronics

© 2001 STMicroelectronics - Printed in Italy - All Rights Reserved
STMicroelectronics GROUP OF COMPANIES

Australia - Brazil - China - Finland - France - Germany - Hong Kong - India - Italy - Japan - Malaysia - Malta - Morocco
Singapore - Spain - Sweden - Switzerland - United Kingdom

© <http://www.st.com>

