

DATA SHEET

For a complete data sheet, please also download:

- The IC04 LOCMOS HE4000B Logic Family Specifications HEF, HEC
- The IC04 LOCMOS HE4000B Logic Package Outlines/Information HEF, HEC

HEF40245B

buffers

Octal bus transceiver with 3-state outputs

Product specification
File under Integrated Circuits, IC04

January 1995

Octal bus transceiver with 3-state outputs

HEF40245B
buffers

DESCRIPTION

The HEF40245B is an octal bus transmitter/receiver designed for 8-line asynchronous, 2-way data communication between data buses. It features output stages with high current output capability suitable for driving highly capacitive loads.

The direction input (DR) controls transmission of data from bus A to bus B, or bus B to bus A, depending on its logic level. The 3-state outputs are controlled by the enable input \overline{EO} . A HIGH on \overline{EO} causes the outputs to assume a high impedance OFF-state. The device also features hysteresis on all inputs to improve noise immunity.

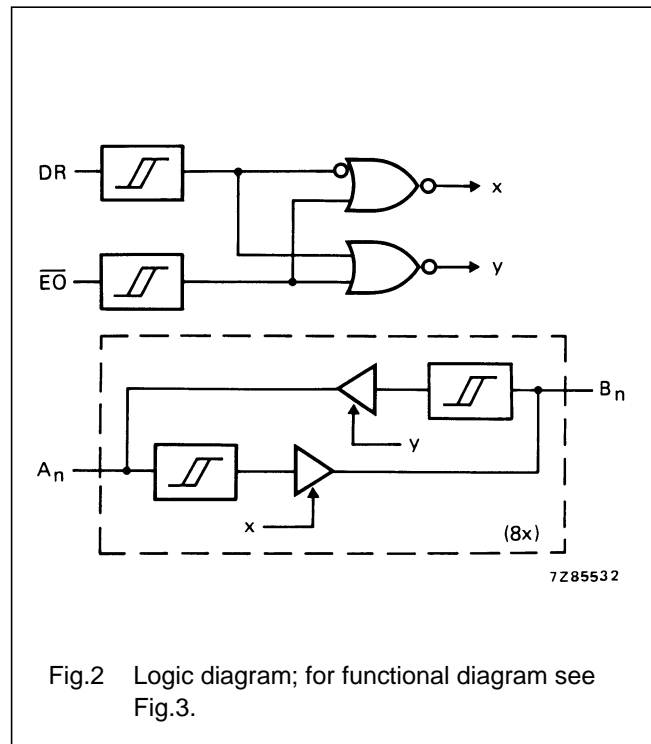
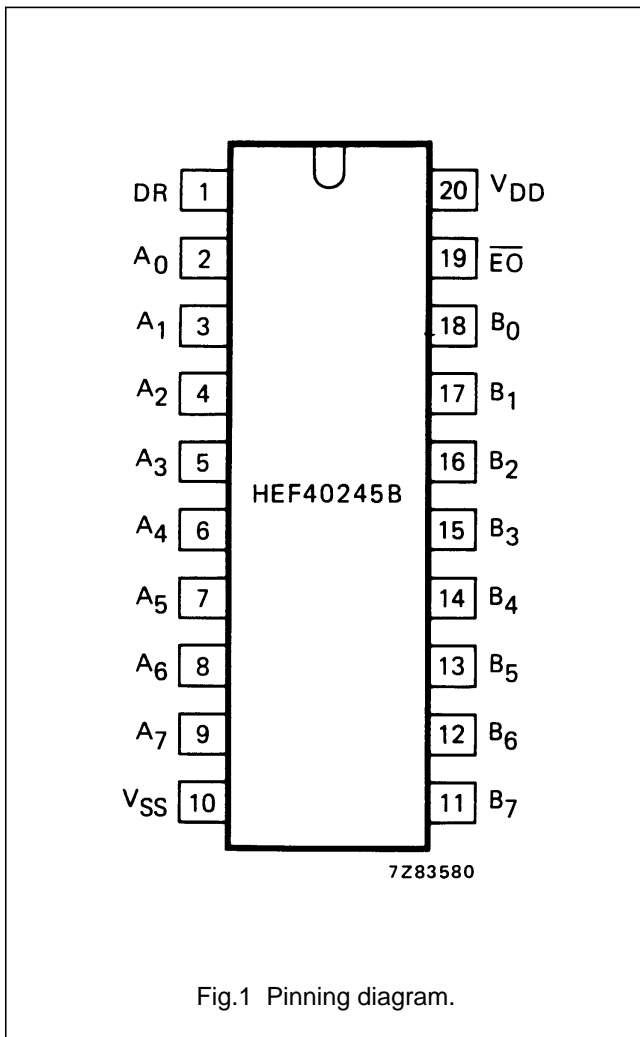
Schmitt-trigger action in the inputs makes the circuit highly tolerant to slower input rise and fall times.

The HEF40245B is pin and functionally compatible with the TTL '245' device.

PINNING

A_0 to A_7	data input/output
B_0 to B_7	data input/output
DR	direction input
\overline{EO}	output enable input (active LOW)

- HEF40245BP(N): 20-lead DIL; plastic (SOT146-1)
- HEF40245BD(F): 20-lead DIL; ceramic (cerdip) (SOT152)
- HEF40245BT(D): 20-lead SO; plastic (SOT163-1)
- (): Package Designator North America

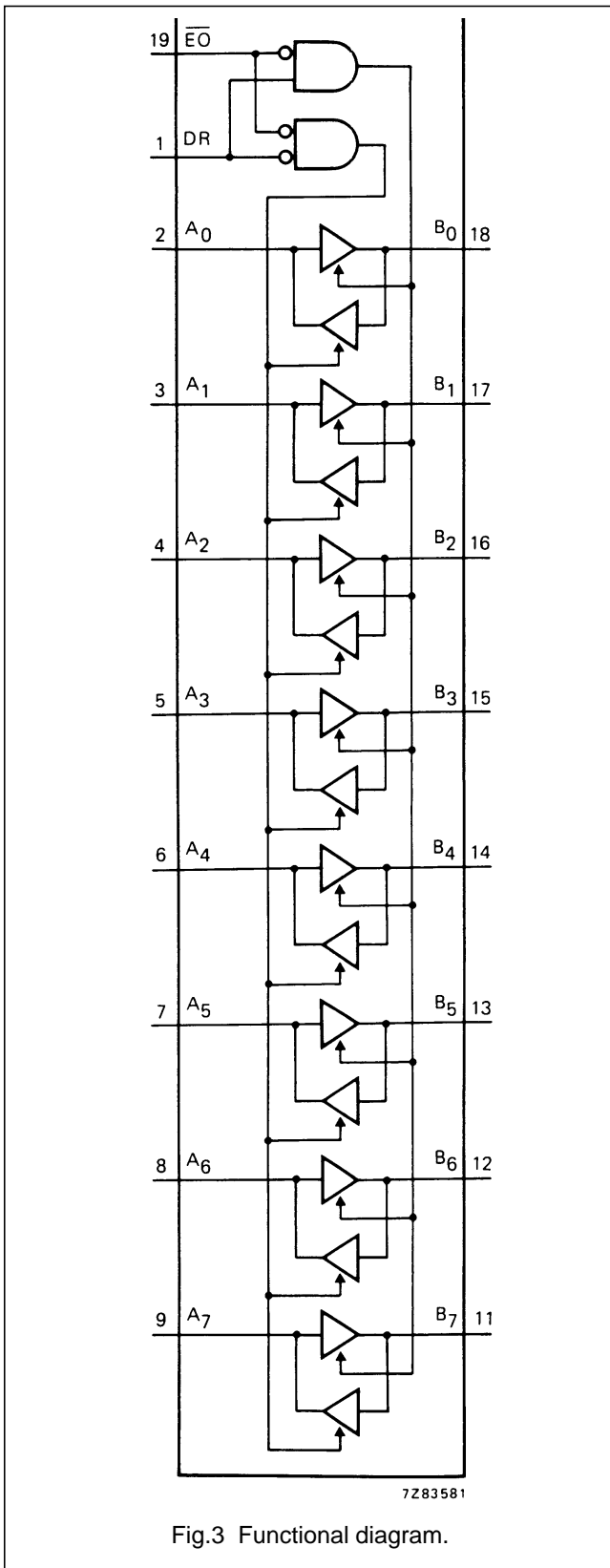


FAMILY DATA, I_{DD} LIMITS category buffers

See Family Specifications.

Octal bus transceiver with 3-state outputs

HEF40245B
buffers

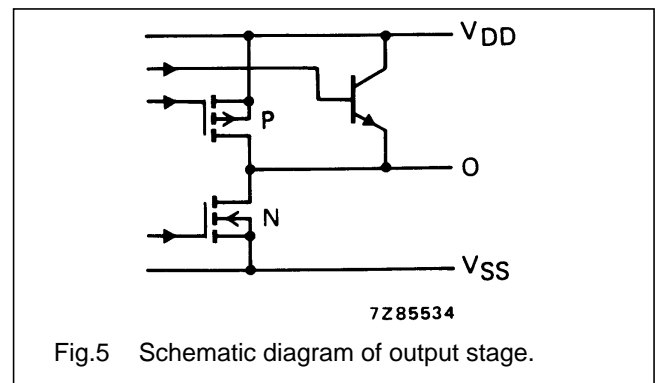
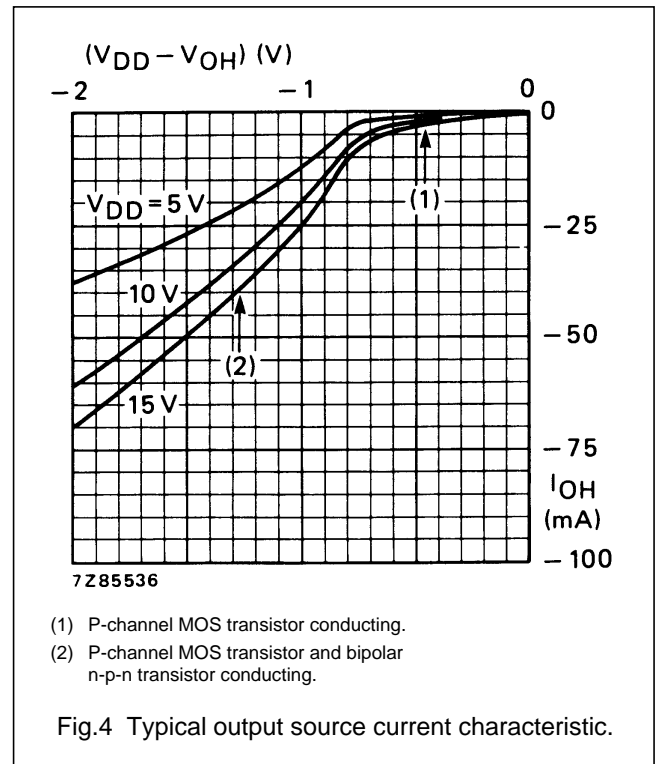


FUNCTION TABLE

INPUTS		INPUTS/OUTPUTS	
\overline{EO}	DR	A_n	B_n
L	L	A = B	input
L	H	input	B = A
H	X	Z	Z

Notes

- H = HIGH state (the more positive voltage)
L = LOW state (the less positive voltage)
X = state is immaterial
Z = high impedance OFF-state



Octal bus transceiver with 3-state outputs

HEF40245B
buffers**RATINGS**

Limiting values in accordance with the Absolute Maximum System (IEC 134)

See Family Specifications, except for:

D.C. current into any input	$\pm I_i$	max.	10 mA
D.C. source or sink current into any output	$\pm I_o$	max.	25 mA
D.C. current into the supply terminals	$\pm I$	max.	100 mA

DC CHARACTERISTICS $V_{SS} = 0\text{ V}$

	V_{DD} V	V_{OH} V	V_{OL} V	SYMBOL	T_{amb} (°C)						
					-40		+ 25			+ 85	
					MIN.	MAX.	MIN.	TYP.	MAX.	MIN.	MAX.
Output current HIGH	5	4,6		$-I_{OH}$	0,75		0,6	1,2		0,45	mA
	10	9,5			1,85		1,5	3,0		1,1	mA
	15	13,5			14,5		15	50		15,5	mA
Output current HIGH	5	3,6		$-I_{OH}$	9,3		10	24		10,7	mA
	10	8,4			14,4		15	46		15,0	mA
	15	13,2			19,5		20	62		19,8	mA
Output current LOW	5		0,4	I_{OL}	2,9		2,3	5,4		1,75	mA
	10		0,5		9,5		7,6	17		5,50	mA
	15		1,5		30,0		25	45		19,0	mA
Hysteresis voltage (any input)	5			V_H				220			mV
	10							250			mV
	15							320			mV
3-state input/output leakage current pins A_n or B_n	15			$I_{OZ}^{(1)}$	-	1,6	-	-	1,6	-	12 μ A

Note1. Relevant output in OFF-state; A_n at V_{SS} or V_{DD} ; B_n at V_{SS} or V_{DD} .

Octal bus transceiver with 3-state outputs

HEF40245B
buffers**AC CHARACTERISTICS** $V_{SS} = 0\text{ V}$; $T_{amb} = 25\text{ }^\circ\text{C}$; $C_L = 50\text{ pF}$; input transition times $\leq 20\text{ ns}$

	V_{DD} V	SYMBOL	MIN.	TYP.	MAX.	TYPICAL EXTRAPOLATION FORMULA		
Propagation delays $A_n \rightarrow B_n$ HIGH to LOW	5	t_{PHL}		95	190	ns	$83\text{ ns} + (0,24\text{ ns/pF}) C_L$	
	10		40	80	ns	$35\text{ ns} + (0,10\text{ ns/pF}) C_L$		
	15		30	60	ns	$26\text{ ns} + (0,07\text{ ns/pF}) C_L$		
	$A_n \rightarrow B_n$ LOW to HIGH	5	t_{PLH}		85	170	ns	$82\text{ ns} + (0,06\text{ ns/pF}) C_L$
		10		40	80	ns	$38\text{ ns} + (0,03\text{ ns/pF}) C_L$	
		15		30	60	ns	$29\text{ ns} + (0,02\text{ ns/pF}) C_L$	
Output transition times HIGH to LOW	5	t_{THL}		40	80	ns	see Fig.6	
	10		20	40	ns			
	15		15	30	ns			
	LOW to HIGH	5	t_{TLH}		30	60		ns
		10		20	40	ns		
		15		15	30	ns		
3-state propagation delays Output disable times $\overline{EO} \rightarrow A_n, B_n$ HIGH	5	t_{PHZ}		100	200	ns		
	10		50	100	ns			
	15		40	80	ns			
	LOW	5	t_{PLZ}		100	200		ns
		10		60	120	ns		
		15		50	100	ns		
Output enable times $\overline{EO} \rightarrow A_n, B_n$ HIGH	5	t_{PZH}		100	200	ns		
	10		45	90	ns			
	15		35	70	ns			
	LOW	5	t_{PZL}		115	230		ns
		10		55	110	ns		
		15		45	90	ns		

ALL BUFFERS SWITCHING	V_{DD} V	TYPICAL FORMULA FOR P (μW)	
Dynamic power dissipation per package (P)	5	$4\ 250\ f_i + \sum (f_o C_L) \times V_{DD}^2$	where f_i = input freq. (MHz) f_o = output freq. (MHz) C_L = load capacitance (pF) $\sum (f_o C_L)$ = sum of outputs V_{DD} = supply voltage (V)
	10	$17\ 000\ f_i + \sum (f_o C_L) \times V_{DD}^2$	
	15	$46\ 000\ f_i + \sum (f_o C_L) \times V_{DD}^2$	

Octal bus transceiver with 3-state outputs

HEF40245B
buffers

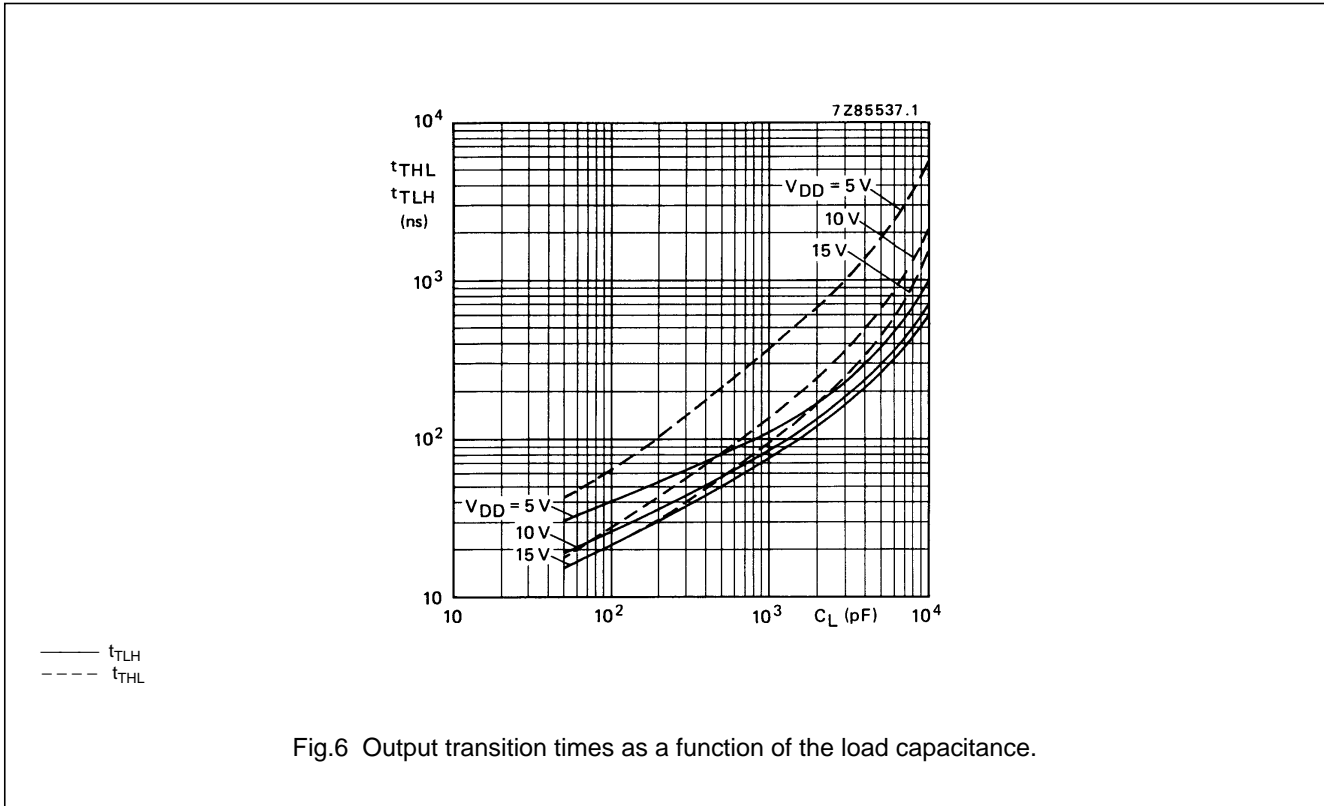


Fig.6 Output transition times as a function of the load capacitance.